

# DOUBLE SHOOT-BOLT



**Operation:** An all-metal, cylinder activated double shoot-bolt for aluminium framed doors and windows.

### Special Features:

- **Stylish low profile design** faceplate with no visible fasteners.
- **Compact design** allows for fitting in smaller sections
- **Pin cylinder** key-locking security.
- **Unique face fixing system** provides a faceplate with no visible fasteners.
- **Solid stainless steel** bolt tips (ø8.0mm) provide strength and corrosion resistance.
- Optional connecting rod kit available with ø12.0mm adjustable tips (as used for the Commercial Flushbolt).
- **19mm bolt throw** at each end.
- **Australian** design and manufacture.

### Installation Features:

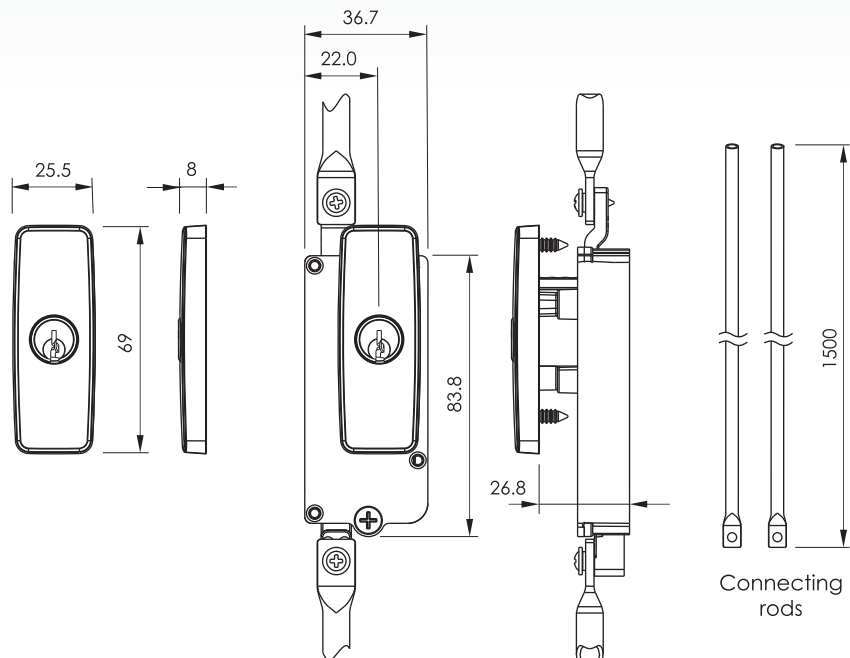
- Connecting rods are 1500mm and can be **cut to length on site**.
- **Fine bolt adjustment** at either end after tubes are cut.
- **Fitting instructions** can be downloaded from [www.ausloc.com](http://www.ausloc.com)

**Finishes:** Satin Chrome plated finish available, and a range of powder-coated colours.

- Keying:**
- 5-pin cylinder
  - C4 or Gainsborough compatible keyways
  - can be keyed alike

## Thumbturn version

The Double Shoot-bolt is available with a Thumbturn cylinder for locking and unlocking without keys.



Ordering Code	Description	Notes
MPSB / colour	Double Shoot-bolt	<b>Order cylinder separately</b>
MPSB-5C4/ KA or KD	5-pin C4 cylinder (re-pinable) for Double Shoot-bolt	<b>packed 5 KA or KD</b>
MPSB-5G/ KA or KD	5-pin G cylinder (re-pinable) for Double Shoot-bolt	
MPSB-TTCL	Thumbturn cylinder for Double Shoot-bolt	
ACC/FBC	Accessory bag with 2 x bolt tip support brackets and 2 x adjustable escutcheons	<b>Accessories for using ø12.0mm bolt system</b>
FBC/RODS	2 x Connecting Rods with ø12.0mm adjustable tips	