



SECURITY FLUSHBOLT

Operation: An all-metal double flushbolt, activated by single lever operation for securing the fixed door of double door sets.

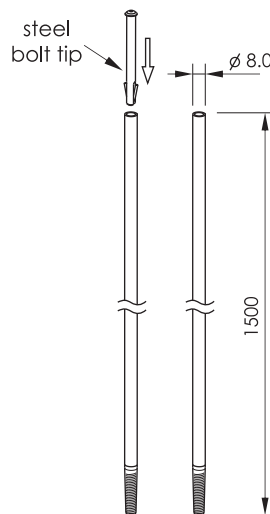
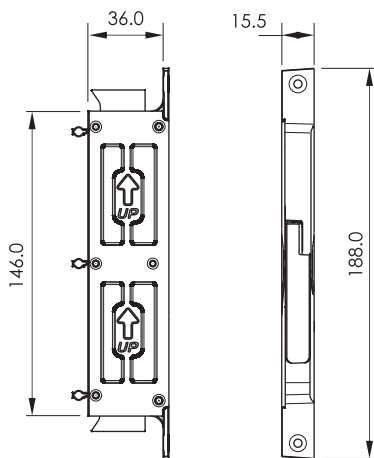
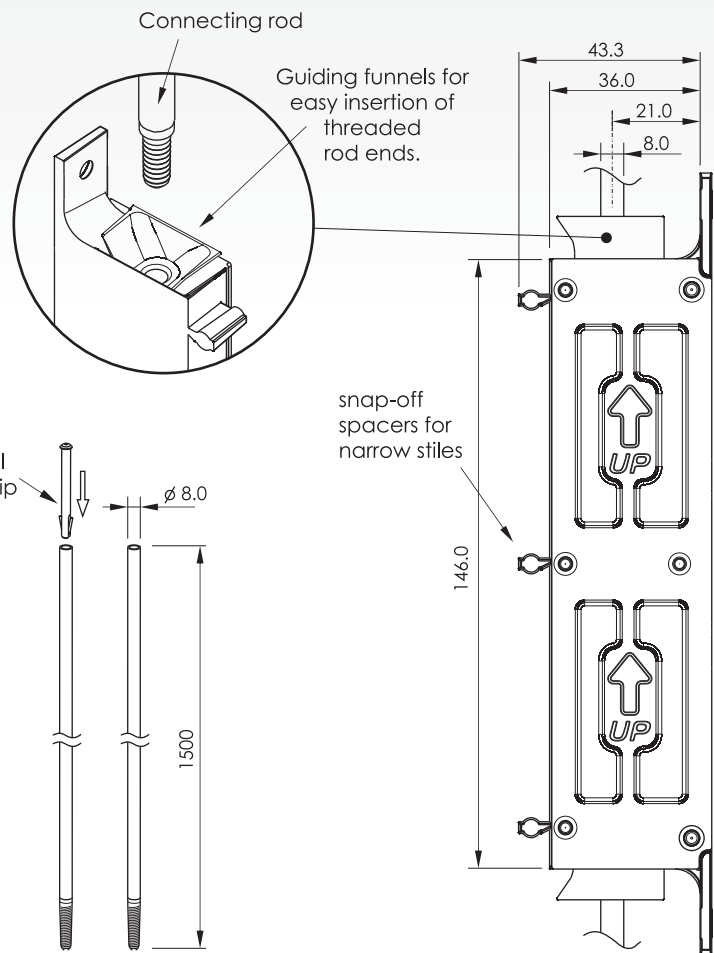
Special Features:

- **Single lever** provides double bolt locking.
- **Lever is conveniently located** near the center of the door so there is no need to bend down or reach up.
- **Two-stage bolt activation** for ease of use.
- **Solid steel tips** for strength and security.
- **18mm bolt throw** at each end.
- **Australian** design and manufacture.
- Subject to patenting.

Installation features:

- Fits into industry standard cutout.
- Connecting rods are cut to length after installation.
- **Fitting instructions** can be downloaded from www.ausloc.com

Finishes: The lock body is available in a range of powder coated colours (the lever is chrome plated).



Connecting rods

Ordering Code	Description	Notes
FB / colour	Double Flushbolt for security doors	