



SORRENTO Mk2



Operation: A reliable mortise lock for aluminium framed doors having a beveled latch bolt that is extended further into the strike plate when locked by key or snib.

Special Features:

- **Interior snib** lever for quick and convenient locking without the need for a key.
- **Tough nylon slides** on the lock bolt help protect the edge of the door jamb, reducing noise and providing a smooth closing action.
- **Two-stage lock bolt** - Locking the door by key or snib lever causes the lock bolt to extend further into the strike plate.
- **Steel cased lock body** for increased strength.
- **Australian** design and manufacture.
- Subject to patenting.

Multipoint: Sorrento Mk2 may be connected to a multipoint kit to provide remote locking and door seal compression. (for aluminium framed doors only - order separately).

Installation Features:

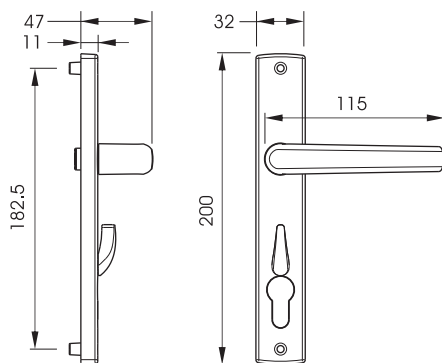
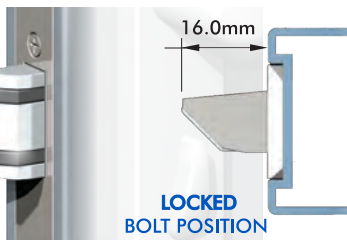
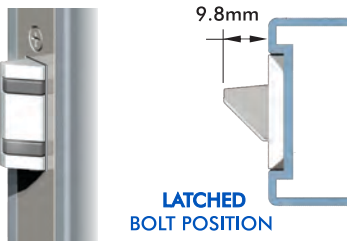
- **Quick lever reversal** by loosening a single screw (to change between left hand hinged and right hand hinged doors).
- **Interchangeable** lock bolt can be easily swapped to suit both inward opening and outward opening doors (two bolts supplied).
- **Fitting instructions** can be downloaded from www.ausloc.com

Finishes: Available in Satin Chrome, Bright Chrome, Bright Gold and in the range of powder coated finishes shown in Section 10 of this catalogue. Finishes include PSIL (powder-coated Satin Chrome look-alike) that is more suitable for coastal and high humidity environments.

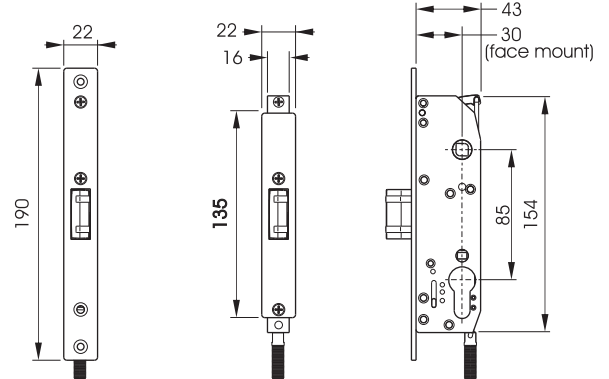
- Keying:**
- AA70 5-pin re-pinable double cylinders are available
 - C4 or Gainsborough compatible keyways
 - can be keyed alike

Two-Stage Bolt

Two-stage bolt is extended and deadlocked when locked.



Classic Style Furniture



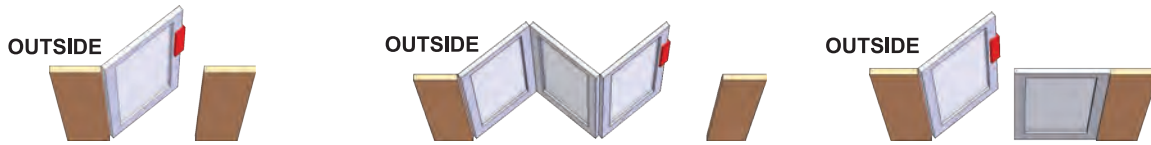
Face Mount Standard

Flush Mount

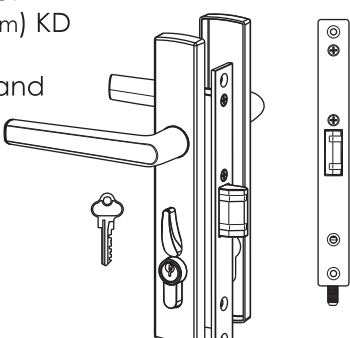
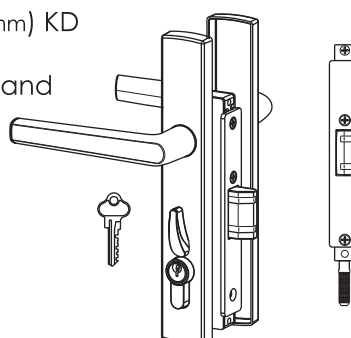
SORRENTO Mk 2 - Classic



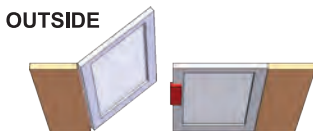
Standard Product Range - ACTIVE LEAF



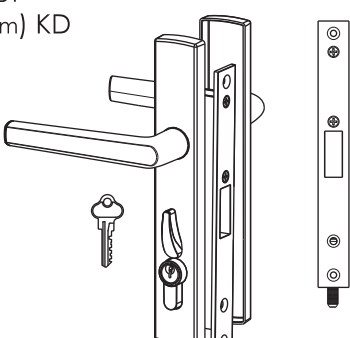
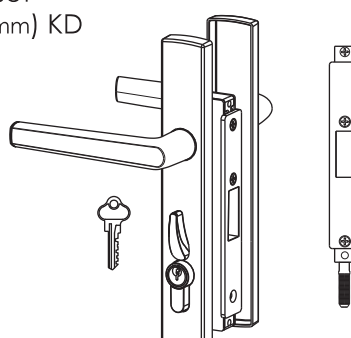
These products can be used for single doors, the end panel of bi-folding doors, or the active leaf of double doors. Multipoint kits are available as an option for increased security.

LOCKSETS FOR ACTIVE LEAF	FACE MOUNT - STANDARD	FLUSH MOUNT
	<p>SR2-AS-CCC-colour</p> <ul style="list-style-type: none"> - Face mount STANDARD - Standard lever set - C4 cylinder (70mm) KD - Snib locking - SR-2C (winged) and SR-2D (flat) strikeplates  <p>Multipoint Kit is optional</p>	<p>SR2-AF-CCC-colour</p> <ul style="list-style-type: none"> - Flush mount - Standard lever set - C4 cylinder (70mm) KD - Snib locking - SR-2C (winged) and SR-2D (flat) strikeplates  <p>Multipoint Kit is optional</p>

Standard Product Range - INACTIVE LEAF



The Sorrento Mk2 lock with a multipoint kit may be used to secure the inactive (fixed) leaf of double doors, and to provide an aperture for the lock bolt of the active leaf (precise installation is required). The Commercial Flushbolt may also be used to secure the inactive leaf.

LOCKSETS FOR INACTIVE LEAF	FACE MOUNT - STANDARD	FLUSH MOUNT
	<p>SR2-IS-CCC-colour</p> <ul style="list-style-type: none"> - Face mount STANDARD - Standard lever set - C4 cylinder (70mm) KD - Snib locking  <p>Multipoint kit must be attached</p>	<p>SR2-IF-CCC-colour</p> <ul style="list-style-type: none"> - Flush mount - Standard lever set - C4 cylinder (70mm) KD - Snib locking  <p>Multipoint kit must be attached</p>



SORRENTO Mk 2 - Classic

Lock Bodies

ACTIVE LOCKBODY	FACE MOUNT	FLUSH MOUNT	INACTIVE LOCKBODY	FACE MOUNT	FLUSH MOUNT
	SR2-LAS	SR2-LAF		SR2-LIS	SR2-LIF
	<ul style="list-style-type: none"> - Lock Body for active leaf door - Face mount 	<ul style="list-style-type: none"> - Lock Body for active leaf door - Flush mount 		<ul style="list-style-type: none"> - Lock Body for inactive leaf door - Face mount 	<ul style="list-style-type: none"> - Lock Body for inactive leaf door - Flush mount

Furniture

CLASSIC FURNITURE	SNIB & CYLINDER HOLE	SNIB ONLY	PASSAGEWAY
	SR2-FCCC-colour	SR2-FCSC-colour	SR2-FCNC-colour
	<ul style="list-style-type: none"> - Classic leverplate - Classic levers - Snib and cylinder hole 	<ul style="list-style-type: none"> - Classic leverplate - Classic levers - Snib only 	<ul style="list-style-type: none"> - Classic leverplate - Classic levers - Passageway only (no locking)

Cylinders

70mm CYLINDERS	C4 KEYWAY	GAINSBOROUGH	THUMBTURN	80mm CYLINDER	C4 KEYWAY
	AA70-5C4	AA70-5G	AA70-5C4LHTT AA70-5C4RHTT		AA-SC-80
	Double C4 cylinder (5-pin re-pinable)	Double G cylinder (5-pin re-pinable)	Thumbturn on inside and 5-pin C4 outside.		Double C4 cylinder floating / lazy cam (5-pin re-pinable)

Strike Plates

STAINLESS STEEL	STANDARD	FLAT	WIDE WINGED
	SR-2C	SR-2D	SR-2G
	Standard Strike Plate	Flat Strike Plate	Wide Winged Strike



Multipoint

Sorrento Multipoint Kit
(for aluminium framed doors)

Operation:

- An upper and lower remote bolt actuated by operation of the door levers to provide positive locking and compression of door seals.
- 15mm bolt throw each end.

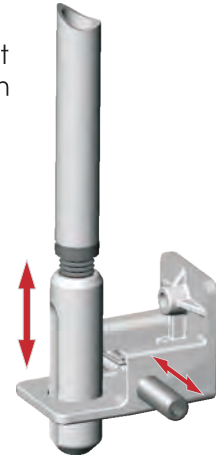
Installation Features:

- Adjustable escutcheon allows the door compression to be set, ensuring a complete draft seal.
- Adjustable metal bolt tips.
- Easy installation using a patented system that guides the rods onto the centre lock, and the tubes can be cut to length on site to fit any door size.



Adjustable Tip:

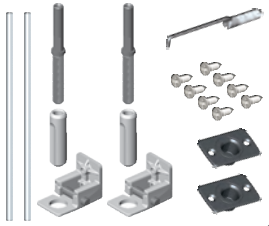
The $\varnothing 12.0\text{mm}$ bolt tip has fine adjustment ($\pm 8.0\text{mm}$) that allows precision installation, supported by a die-cast brace having an adjustable screw for side support.



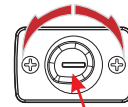
SR-M

Multipoint kit includes:

- 2 x 1,500mm tubes
- 2 x Adjustable tips
- 2 x Threaded tip inserts
- 1 x Top remote connector
- 2 x Adjustable escutcheons
- 2 x Supporting braces
- Fitting bag with fasteners



Adjustable Escutcheon:



Screwdriver slot for adjustment



Accessories

SR-FPAR (for active leaf)

SR-FPIR (for inactive leaf)

Round Faceplate (stainless steel)
(suits Capral Genesis section)

