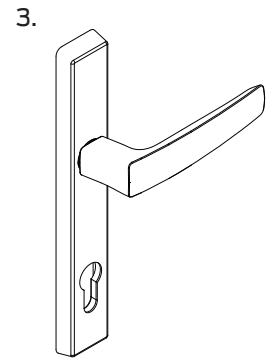
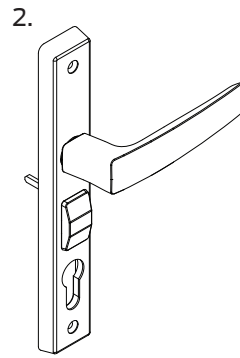
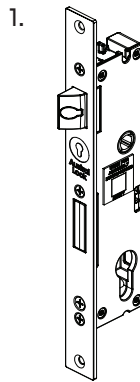


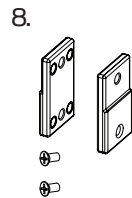
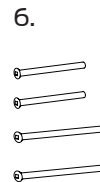
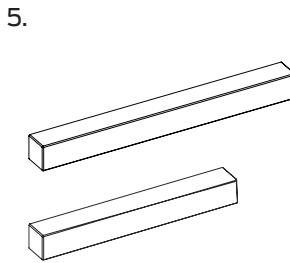
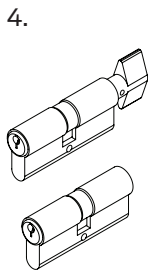


## Contents

1. Lock body
2. Long plate external furniture
3. Long plate internal furniture
4. Cylinder (not included, length to suit door thickness)
5. Zinc spindles
6. Furniture fixing screws
7. Cylinder retaining screw
8. Fixing tabs



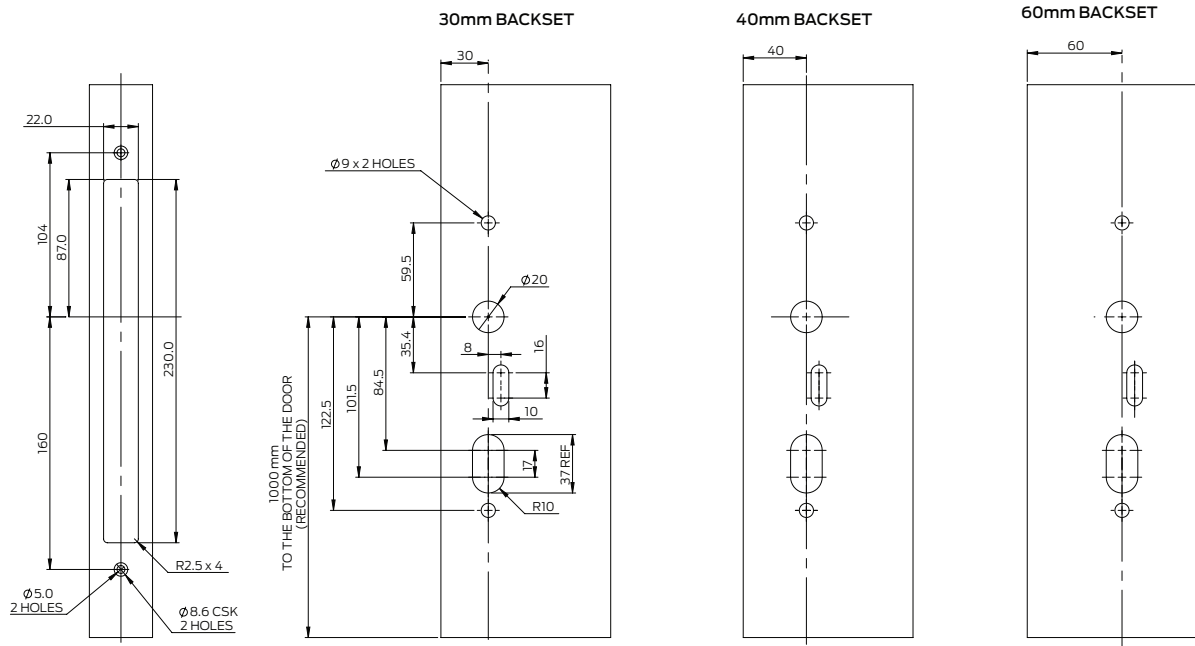
Austral Aurora furniture shown



## Step 1: Door Preparation

- 1.1 For Flush Mount, route the door as per technical dimensions below

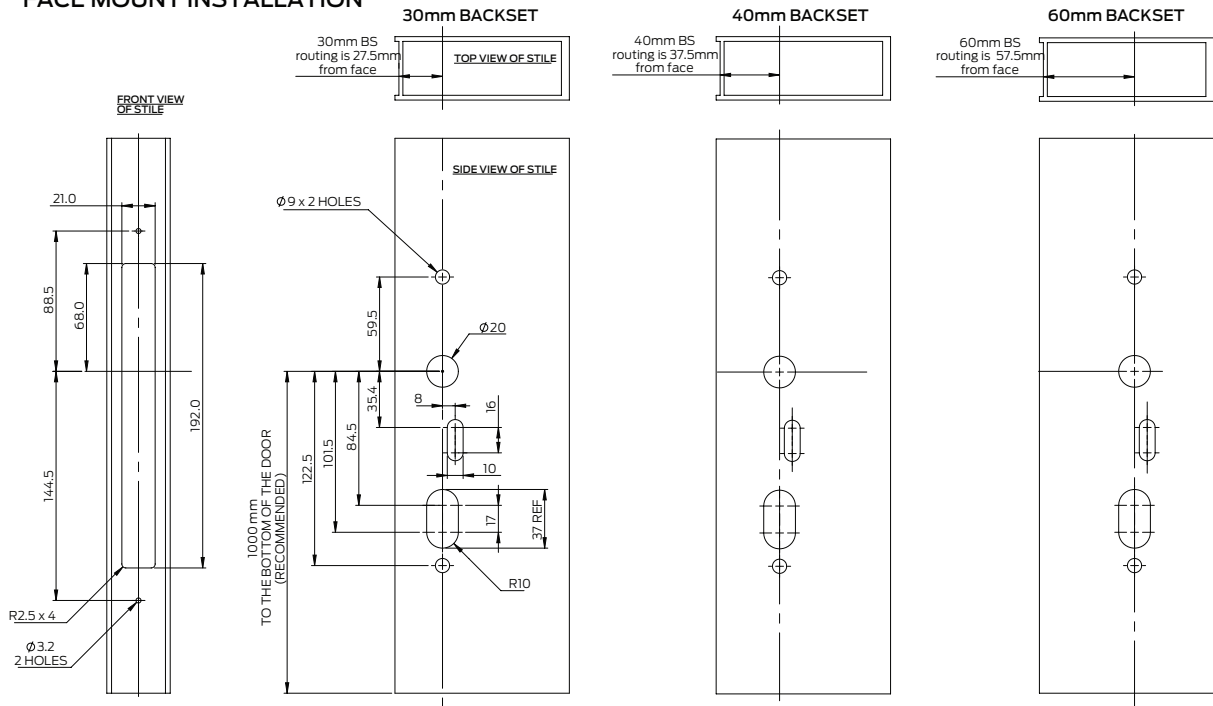
### FLUSH MOUNT INSTALLATION



## Step 1: Door Preparation (cont.)

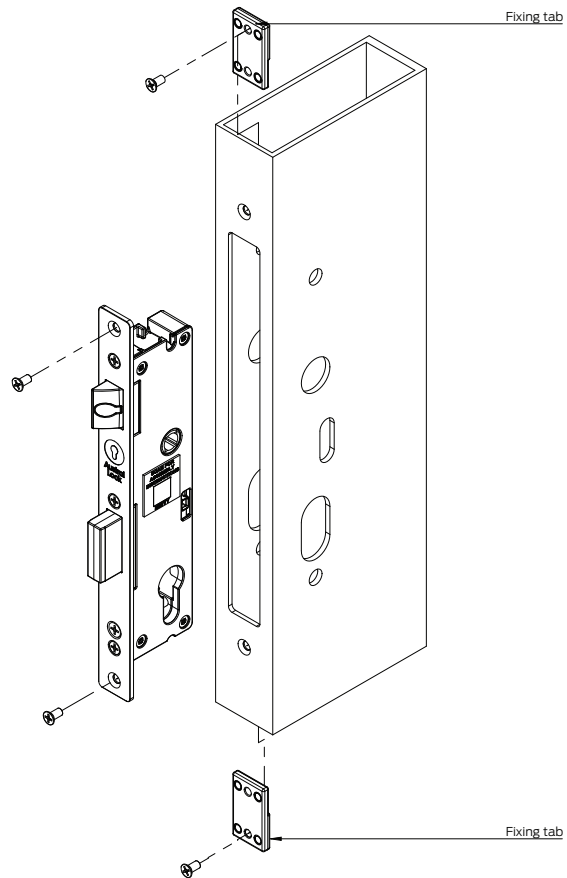
1.2 For Face Mount, route the door as per technical dimensions below

### FACE MOUNT INSTALLATION



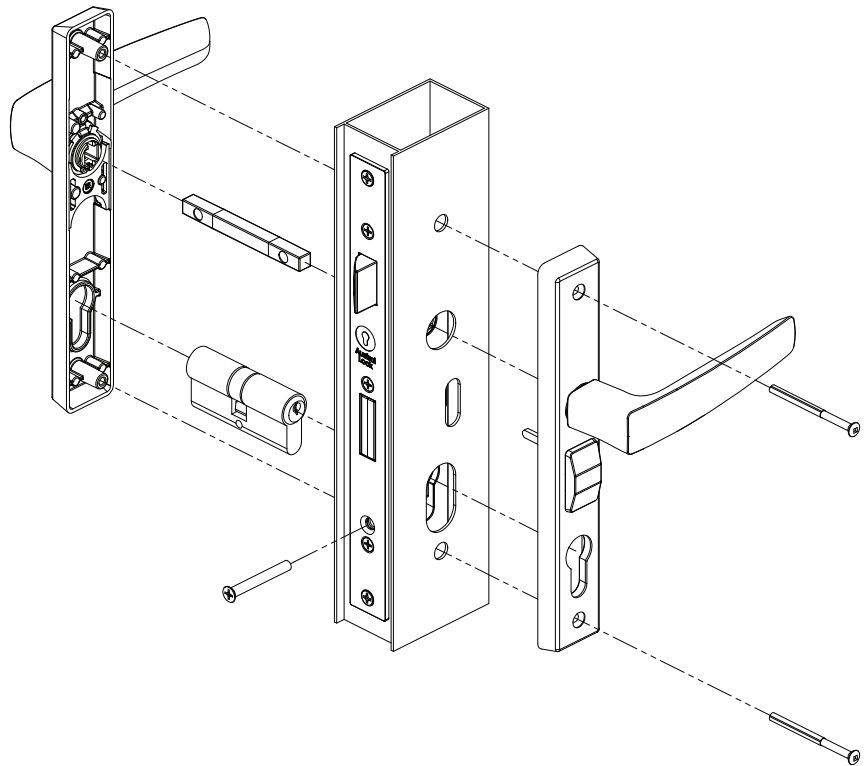
## Step 2: Installing the Lock

- 2.1 Insert lock into the stile
- 2.2 Secure with screws (max length 12mm)  
Use fixing tabs for flush mount installation



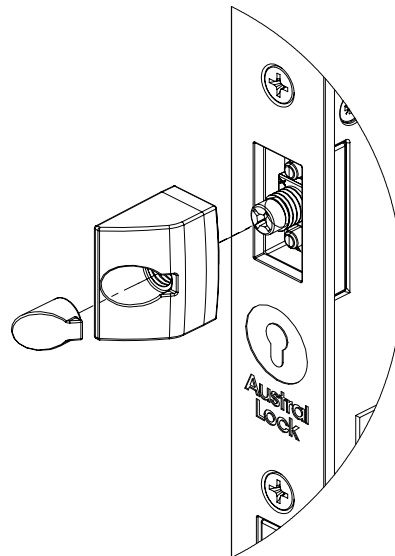
### Step 3: Mounting Accessories

- 3.1 Insert the spindle into the square hub of the lock
- 3.2 Insert the cylinder into the cylinder hole and secure with the cylinder retaining screw
- 3.3 Mount the internal and external hardware onto the spindle and cylinder
- 3.4 If using snib furniture, align snib arm to snib slot in lock body
- 3.5 Secure furniture with supplied fixing screws



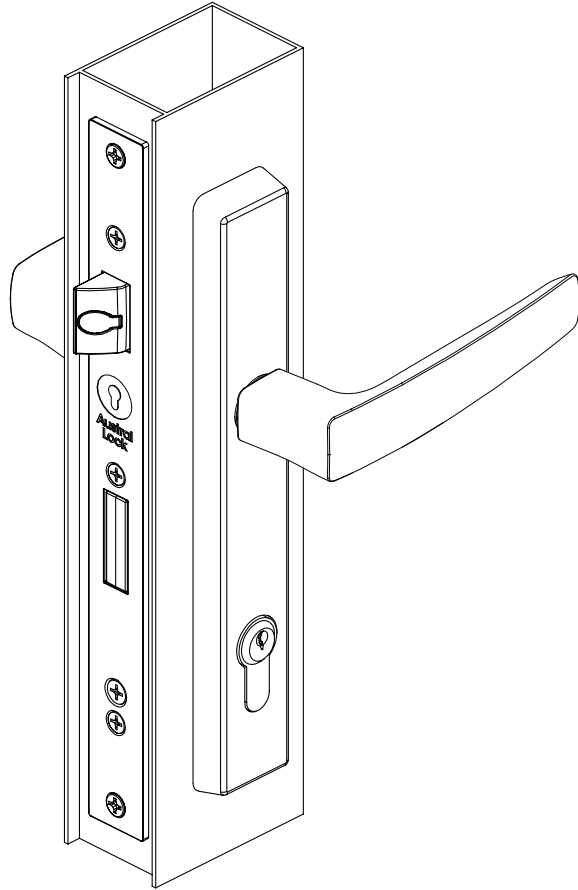
### Step 4: Re-handing & Latch Adjustment

- 4.1 Check latch to determine if handing is correct
- 4.2 To re-hand the latch, remove cap, turn the latch, head screw counter-clockwise with a manual screw driver until the back of the latch comes out of the faceplate so it can be rotated
- 4.3 Rotate the latch head 180 degrees and re-tighten the screw fixing
- 4.4 To increase the latch projection turn the latch screw counter-clockwise
- 4.5 Latch projection can be increased by a maximum of 2mm from original position
- 4.6 Replace cap after adjustments are complete



### Step 5: Lock Operation Check

- 5.1 Close the door firmly
- 5.2 Operate the cylinder turn or key to extend the deadbolt
- 5.3 Handle will be locked and deadbolt will prevent the door from opening



Note: If cylinder turn knob, key or lever is difficult to turn, lift or depress, inspect the alignment of strike plates.