

# Verta Euro Profile Cylinders



Verta euro profile cylinders are suitable to use for a wide range of applications. Made of solid brass and have been thoroughly tested to establish quality and durability.

These incorporate a clutch mechanism to enable use of key to unlock from outside while key is still left in the keyway on the inside and vice versa

They are designed and tested to Australian and New Zealand standards

Available in multiple configurations - double cylinders, cylinder with thumb turn on one side, single cylinders and single cylinder with thumb turn. Available in C4 keyway as well as in Gainsborough GR9 keyway and in PVD Black and Satin Chrome finishes.

Can be keyed to other codes to be able to use as part of a One Key system

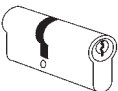
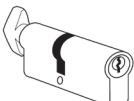
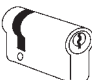
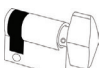
## Features

- PVD Black tested for 300 hours NSS
- Tested for 80,000 cycles
- Comes with construction ball hole
- Pin holes secured with grub screws for easy repinning
- Fixed cam with clutch mechanism
- PVD Black or Satin Chrome finishes
- Solid brass construction

### Warranties

|            |          |
|------------|----------|
| Mechanical | 10 years |
| Finish     | 7 years  |

# Specification guide

|   | Description  | Finish                        | Length (mm)      | Length (mm)  |
|---|--|-------------------------------|------------------|--|
|   | AA 70mm PVD Black 5 pin C4 repinnable fix cam, Euro double cylinder KAAA<br>70mm PVD Black 5 pin GR9 repinnable fix cam, Euro double cylinder KA<br>AA 70mm SC 5 pin C4 repinnable fix cam, Euro double cylinder KA<br>AA 70mm SC 5 pin GR9 repinnable fix cam, Euro double cylinder KA  | PVD Black<br><br>Satin Chrome | 70mm             | AAF705C4SC/KA<br>AAF705GSC/KA<br>AAF705C4MB/KA<br>AAF705GMB/KA         |
|   | AA 70mm PVD Black 5 pin C4 repinaable fix cam, Euro cylinder, interior thumbturn KA<br>AA 70mm PVD Black 5 pin GR9 repinaable fix cam, Euro cylinder, interior thumbturn KA<br>AA 70mm SC5 5 pin C4 repinaable fix cam, Euro cylinder, interior thumbturn KA<br>AA 70mm SC5 5 pin GR9 repinaable fix cam, Euro cylinder, interior thumbturn KA | PVD Black<br><br>Satin Chrome | 70mm             | AAF705C4TTMB/KA<br>AAF705GTTMB/KA<br>AAF705C4TTSC/KA<br>AAF705GTTSC/KA |
|  | AA 45mm PVD 5 pin C4 repinaable fix cam, Euro cylinder KA<br>AA 45mm PVD 5 pin GR9 repinaable fix cam, Euro cylinder KA<br>AA 45mm SC 5 5 pin C4 repinaable fix cam, Euro cylinder KA<br>AA 45mm SC 5 5 pin GR9 repinaable fix cam, Euro cylinder KA   | PVD Black<br><br>Satin Chrome | 45mm<br><br>45mm | AAF455C4MB/KA<br>AAF455GMB/KA<br>AAF455C4SC/KA<br>AAF455GSC/KA         |
|  | AA 45 PVD Black fix cam, Euro cylinder with thumbturn<br>AA 45 SC fix cam, Euro cylinder with thumbturn  | PVD Black<br>Satin Chrome     | 45mm             | AAF45TTMB<br>AAF45TTSC   |

## Finishes



**SC**

Satin Chrome

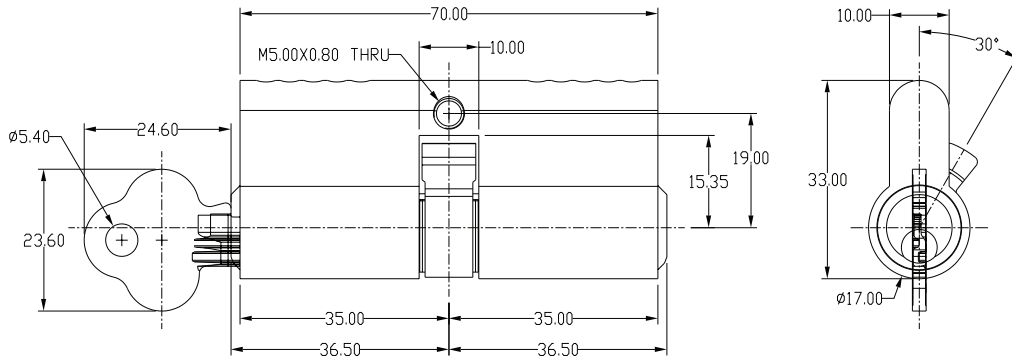


**PVDB**

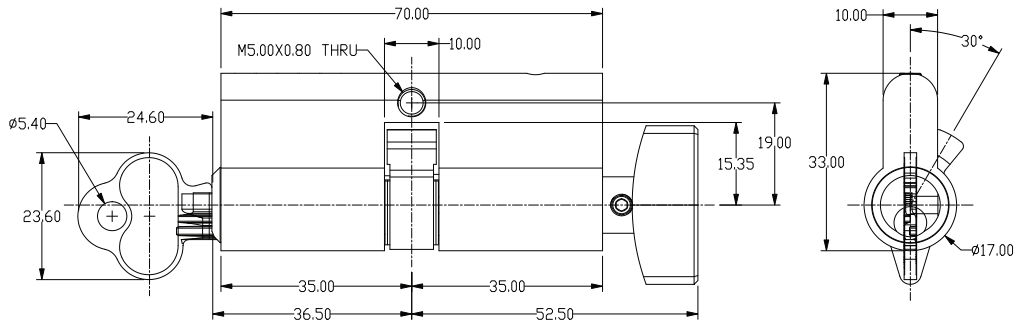
PVD Black

# Dimensional Drawings

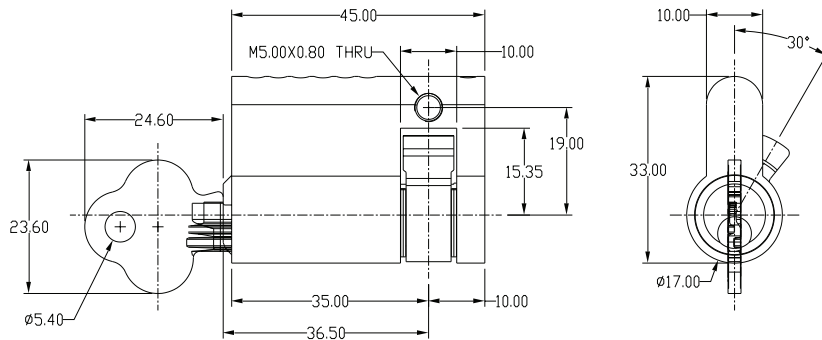
## Double Cylinder



## Double Cylinder with Thumb Turn on One Side



## Single Cylinder



## Single Cylinder with Thumb Turn

