

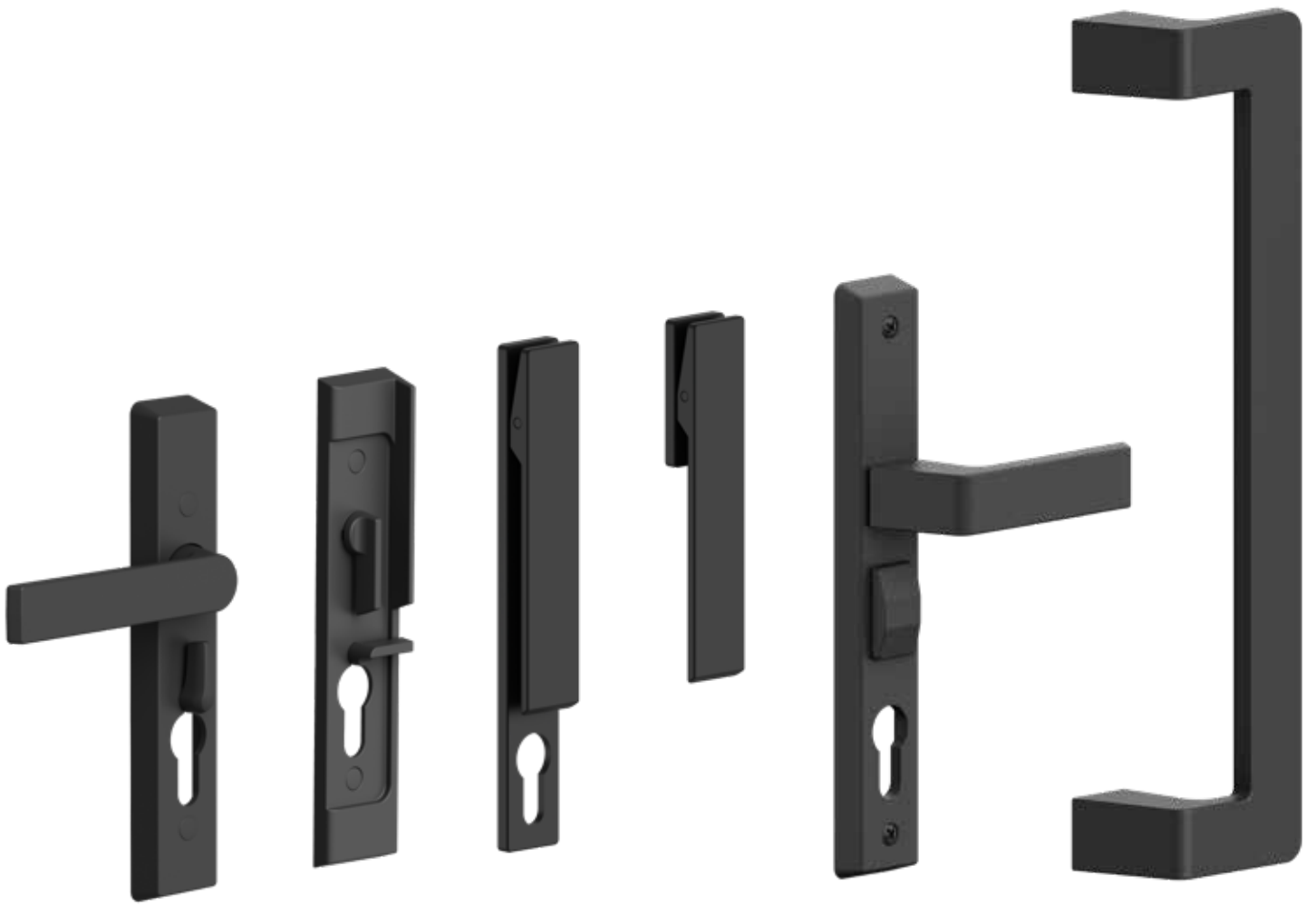


Austral Lock

BY GAINSBOROUGH

FORGE SERIES





Forge by Austral Lock offers a unique combination of quality craftsmanship and local production. A blend of security, style and durability, makes Forge an evolutionary family of furniture for security screen and patio doors.

With expert locking technology, and local assembly to provide custom, colour matched hardware, Forge is the new face of door hardware.



FORGE SERIES



HINGED SECURITY HOOK BOLT LOCK

AUSTRALIAN MADE FOR AUSTRALIAN NEEDS

Austral Lock, trusted for quality in the security and patio industry, has created a series of furniture designed, tested and assembled in Australia. Surpassing Australian standards, Forge by Austral Lock provides hardware suitable for all applications.

The Forge security series, is crafted from Tasmanian zinc and engineered to withstand even the most determined attempts at forced entry. Pair with Austral Lock's cable multipoint kits for quiet and smooth operation, to ensure optimum security. A new aesthetic with tried and tested locking, Forge is the single solution for all.

SLIDING SECURITY LOCK

MORTICE BACKSET	25mm with overall depth of 43.5mm
DOOR THICKNESS	19-25mm
CONSTRUCTION	Zinc die cast, stainless steel face plate
DURABILITY RATING*	D8
STRENGTH RATING*	S7
ADDITIONAL FEATURES	Stainless steel beak and catch plate Compatible with industry standard lazy cam Euro profile cylinders Compatible with both cable (SD14PLUS) or rod (S14R) operated multipoint kits



SLIDING SECURITY LOCK

HINGED SECURITY HOOK BOLT LOCK

MORTICE BACKSET	25mm with overall depth of 35.5mm
DOOR THICKNESS	19-25mm
CONSTRUCTION	Zinc die cast, stainless steel face plate
DURABILITY RATING*	D8
STRENGTH RATING*	S8
ADDITIONAL FEATURES	Stainless steel pivoting beak locking mechanism Compatible with Austral Lock AA8 lazy cam Euro profile cylinders Compatible with cable (UKIT & HD16PLUS) operated multipoint kits



HINGED SECURITY PROJECTION BOLT LOCK

HINGED SECURITY PROJECTION BOLT LOCK

MORTICE BACKSET	25mm with overall depth of 35.5mm
DOOR THICKNESS	19-25mm
CONSTRUCTION	Zinc die cast, stainless steel face plate
DURABILITY RATING*	D8
STRENGTH RATING*	S7
ADDITIONAL FEATURES	Compatible with industry standard lazy cam Euro profile cylinders Compatible with both cable (EKIT) or rod (H14R) operated multipoint kits

*Tested to these ratings as per AS4145.2:2008

All security Forge solutions come with interior snib lever for quick and convenient keyless locking
All security door locks are available in Black (BLST), White (WHGL) and Monumnet (MON) as standard colours
Can be powder coated to any Dulux or Interpon range of powder coatings to colour match the whole system

ATTENTION TO DETAIL IN EVERY ASPECT

While performance is of the utmost importance, with Forge, you don't have to sacrifice style for security. Forge's attention to detail is evident in the clean lines, smooth finishes, and thoughtful craftsmanship which allows the range to seamlessly blend with any architectural style.

Forge's surface mount patio series is locally made at our purpose-built facility in Brooklyn, Victoria. Its ergonomically designed handles and smooth operation ensure ease of use for the long lifetime of the product. The full range fits industry standard cutouts and offers colour matched hardware at no additional cost with local powder coating.

SLIDING PATIO SURFACE MOUNT SLIM LOCK

DOOR THICKNESS	21-46mm
CONSTRUCTION	Zinc die cast
STRIKE	Self adjusting strike with 16mm or 25mm colour matched cover suitable for face fixing as well as jamb fixing
ADDITIONAL FEATURES	<p>Slim profile provides minimal interruption of door opening</p> <p>Twin counteracting beaks engage an all-metal catch plate, providing resistance to jemmying & restraining door being lifted from its rails</p> <p>Anti-slam plunger prevents door being shut with beaks extended, avoiding damage to beaks & catch plate</p>



SLIDING PATIO SURFACE MOUNT
SLIM LOCK

SLIDING PATIO SURFACE MOUNT D PULL LOCK

DOOR THICKNESS	21-46mm
CONSTRUCTION	Zinc die cast
STRIKE	Self adjusting strike with 16mm or 25mm colour matched cover suitable for face fixing as well as jamb fixing
ADDITIONAL FEATURES	<p>Robust handle design offers comfortable operation</p> <p>Twin counteracting beaks engage an all-metal catch plate, providing resistance to jemmying & restraining door being lifted from its rails</p> <p>Anti-slam plunger prevents door being shut with beaks extended, avoiding damage to beaks & catch plate</p>



SLIDING PATIO SURFACE MOUNT
D PULL LOCK

All patio surface mount locks are available in Black (BLST), White (WHGL), Silver (PSIL) and Monument (Mon) as standard colours

Can be powder coated to any Dulux or Interpon range of powder coatings to colour match the whole system



SLIDING PATIO SURFACE
MOUNT D PULL LOCK



OFFSET PULL WITH EURO ESCUTCHEON
AND THUMBTURN CYLINDER

ACCESS MADE SEAMLESS

Forge provides access to a full range of furniture, suitable for the market leading door systems. This inclusion allows doors to be fabricated to the unique needs and preferences of homeowners.

The mortice sliding door series from Forge continues the sleek and contemporary design, while providing Austral Lock's consistent and superior performance. Australian assembled, these sliding solutions offer three different pull types with matching escutcheon and versatile Euro cylinder options.

PULL FURNITURE AND ESCUTCHEON

MORTICE BACKSET	28.5 and 40mm
DOOR THICKNESS	32-55mm
CONSTRUCTION	Zinc die cast
DURABILITY RATING*	D8
STRENGTH RATING*	S7
ADDITIONAL FEATURES	All pulls available in back to back and single side fix options Offset and in line pull options available in 300mm lengths Pair with Austral Lock's Sliding Door Mortice Lock and Euro Profile Cylinders for complete locking solutions

SLIDING DOOR MORTICE LOCK

MORTICE BACKSET	28.5 and 40mm
DOOR THICKNESS	32-45mm
CONSTRUCTION	SS face plate, strikes, beak and catch
DURABILITY RATING*	D8
STRENGTH RATING*	S7
ADDITIONAL FEATURES	Secure double-hook bolts with anti-lift design Anti-slam feature prevents bolts being thrown unless door is closed Adjustable strike supplied as standard with other variations available

EURO PROFILE CYLINDERS

APPLICATION	Sliding and hinged doors
DESCRIPTION	Euro profile fix cam 5 pin cylinders See page 15 for all function options
MORTICE BACKSET	Compatible with all industry standard Euro profile mortice backsets
CONSTRUCTION	Solid brass core
DURABILITY RATING*	D8
ADDITIONAL FEATURES	Clutch mechanism allows unlocking with key from one side, while a key is inserted on the other side



INLINE PULL WITH
EURO ESCUTCHEON



FLUSH PULL WITH
EURO ESCUTCHEON

*Tested to these ratings as per AS4145.2:2008

All mortice sliding door furniture is available in Black (BLST) and Silver (PSIL) as standard colours
Can be powder coated to any Dulux or Interpon range of powder coatings to colour match the whole system

A SOLUTION FOR EVERY APPLICATION

As well as hinged or sliding security and surface or mortice sliding patio, Forge also has solutions for bifolding and hinged doors. Our bifold operator throws bolts in two directions with a single action and the long plate lever has two- or four-point locking with optional privacy snib.

Homes and commercial spaces are all unique and require different types of doors with suitable locking and levers. With the Forge series of hardware, these spaces can look harmoniously stylish while providing the required functionality. With Austral Lock it's secure, with Forge it's a family.

HINGED DOOR LOCK

LOCK BODY	Austral Lock Virtus hinged door mortice lock
MORTICE BACKSET	2 point 30, 40 or 60mm 4 point 30, 40 or 60mm
DOOR THICKNESS	32-60mm
CONSTRUCTION	Zinc die cast, stainless steel face plate and locking components
DURABILITY RATING*	D8
STRENGTH RATING*	S8
ADDITIONAL FEATURES	Sliding snib for privacy locking from the interior Easy handing with supplied handing pieces Compatible with 2 and 4 point locking (lever up to throw the top and bottom shootbolts) Compatible with industry standard Euro profile cylinders



HINGED DOOR LOCK WITH SNIB

BIFOLD LOCK

MORTICE BACKSET	35mm aluminium panels 45mm timber panels
DOOR THICKNESS	35-55mm
CONSTRUCTION	Zinc die cast
DURABILITY RATING*	100,000 cycles
ADDITIONAL FEATURES	Locking and non-locking furniture variants Industry standard 85mm distance between lever spindle and keyway centres Compatible with industry standard Euro profile cylinders Supplied with a low profile cylinder and keys in single access locking kits



BIFOLD LOCK

*Tested to these ratings as per AS4145.2:2008

All hinged and bifold locks are available in Black (BLST) and Silver (PSIL) as standard colours

Can be powder coated to any Dulux or Interpon range of powder coatings to colour match the whole system



HINGED DOOR LOCK



Austral Lock
BY GAINSBOROUGH

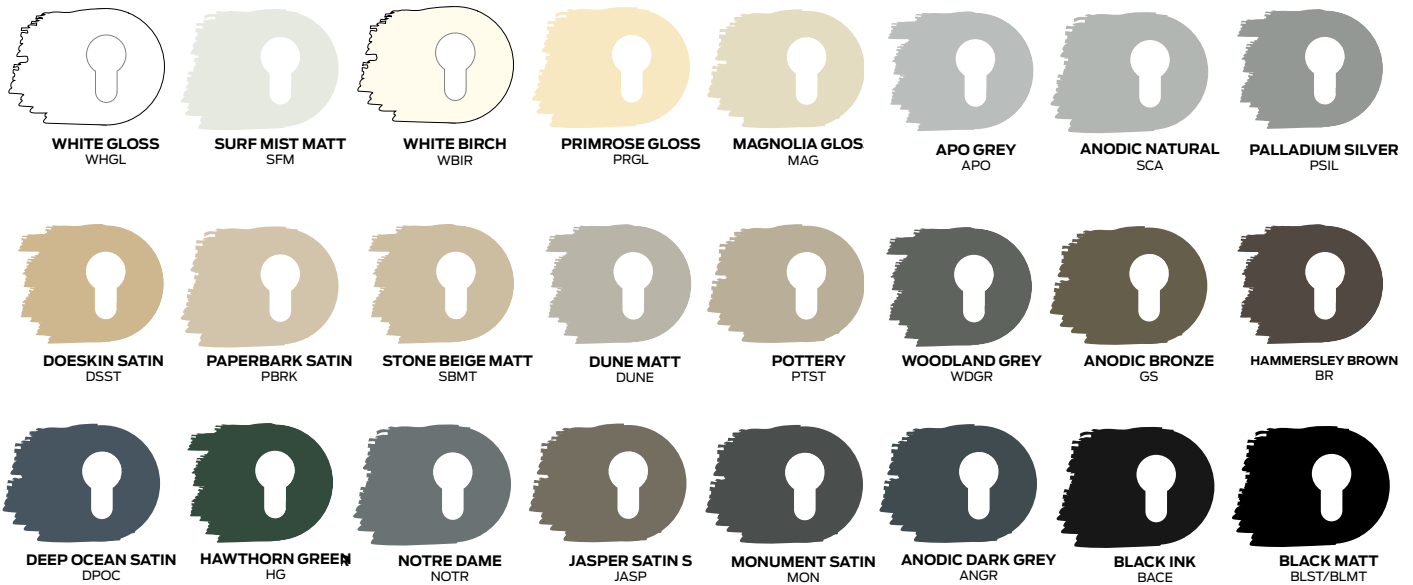


years
of Australian
Manufacturing

Proudly Australian for over 40 years.

Established in Melbourne in 1982, Austral Lock is proud to celebrate 40 years of Australian manufacturing and patented innovation. Beginning as a small family-owned business, over the decades, Austral Lock has grown into an innovative and quality-oriented business, supplying hardware to all corners of Australia. Today it is one of only a few in the window and door industry still designing and manufacturing in Australia.

Our commitment to local manufacture allows us to supply colour matched hardware in our 24 stocked colours, with no surcharge on the Forge series. Excellence in design and a rigorous approach to quality means Austral Lock products are often imitated but never copied.



7 YEAR
TARNISH
WARRANTY

10 YEAR
MECHANICAL
WARRANTY

Sales Support

1800 098 094 or info.au@allegion.com

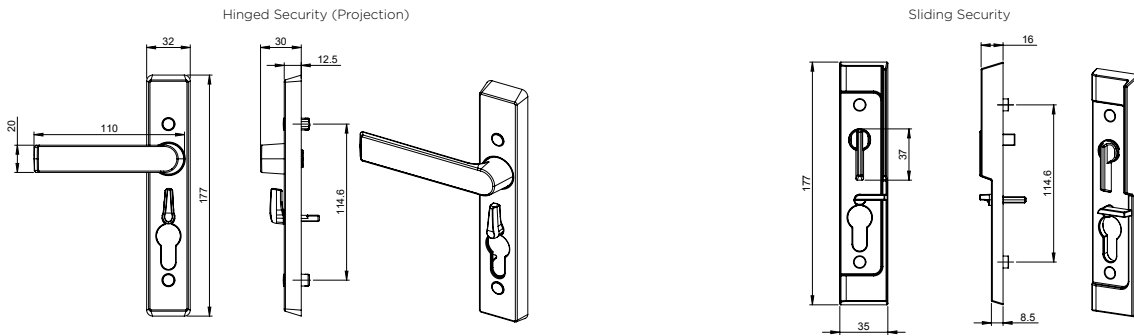
Technical support hub

1300 898 596 or techsupprt.au@allegion.com

SECURITY DOOR LOCKS

DESCRIPTION	CODE
Hinged Security Door Projection Bolt Lock	FHSP- colour
Hinged Security Door Hook Bolt Lock	FHSH- colour
Sliding Security Door Lock	FSS- colour

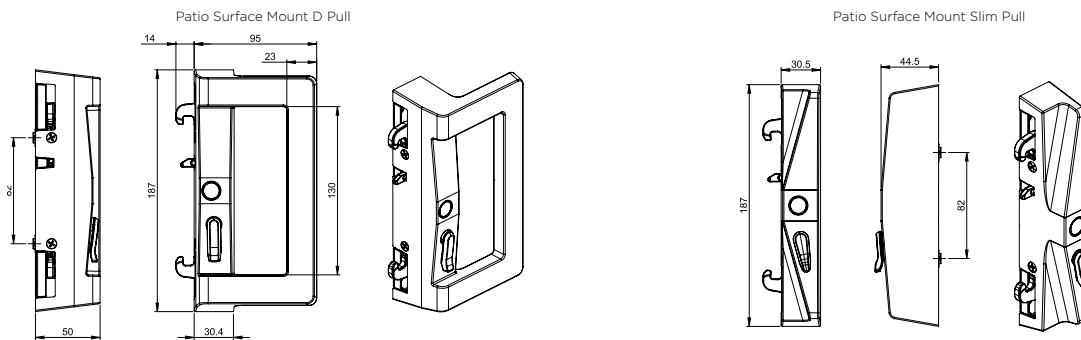
colour - for all Austral Lock standard colours, use colour code on page 12, for any other powder coat, use SP



SLIDING PATIO SURFACE MOUNT LOCKS

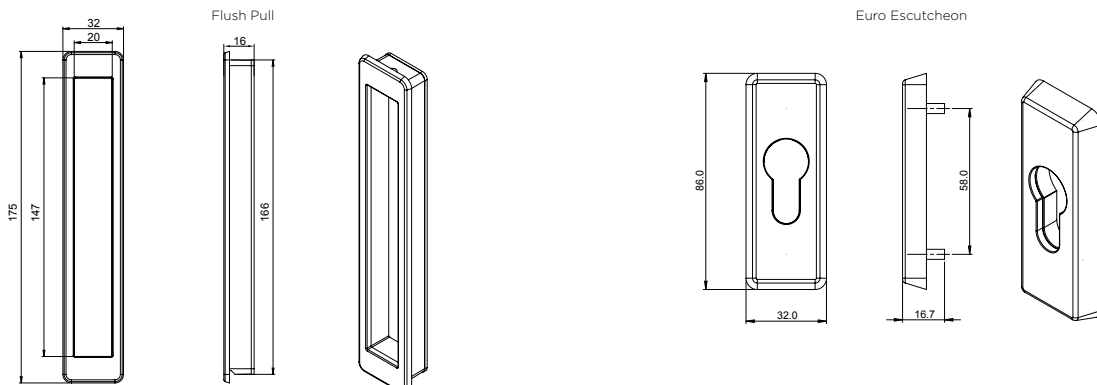
DESCRIPTION	CODE
D Inner Pull 16mm Catch Base	FSPDSS- colour
D Inner Pull 25mm Catch Base	FSPDSW- colour
Slim Inner Pull 16mm Catch Base	FSPSSS- colour
Slim Inner Pull 25mm Catch Base	FSPSSW- colour

colour - BLST for black, WHGL for white, PSIL for silver, MON for monument, for any other powder coat, use SP



SLIDING DOOR FURNITURE SETS

DESCRIPTION	COLOUR	CODE
FORGE OFFSET PULL HANDLE B2B Includes internal and external 300mm offset pull handles with fixing screws	Black	FSDPHB2-B
	Silver	FSDPHB2-S
	Other PC colours	FSDPHB2-SP
FORGE INLINE PULL HANDLE B2B Includes internal and external 300mm inline pull handles with fixing screws	Black	FSDILB2-B
	Silver	FSDILB2-S
	Other PC colours	FSDILB2-SP
FORGE FLUSH PULL B2B Includes 2x flush pulls with fixing screws	Black	FSDFPB2-B
	Silver	FSDFPB2-S
	Other PC colours	FSDFPB2-SP
FORGE FLUSH PULL SINGLE Includes a flush pull with fixing screws	Black	FSDFPSF-B
	Silver	FSDFPSF-S
	Other PC colours	FSDFPSF-SP
FORGE EURO ESCUTCHEON Includes an escutcheon with Euro cylinder hole	Black	FSEDESC-B
	Silver	FSEDESC-S
	Other PC colours	FSEDESC-SP

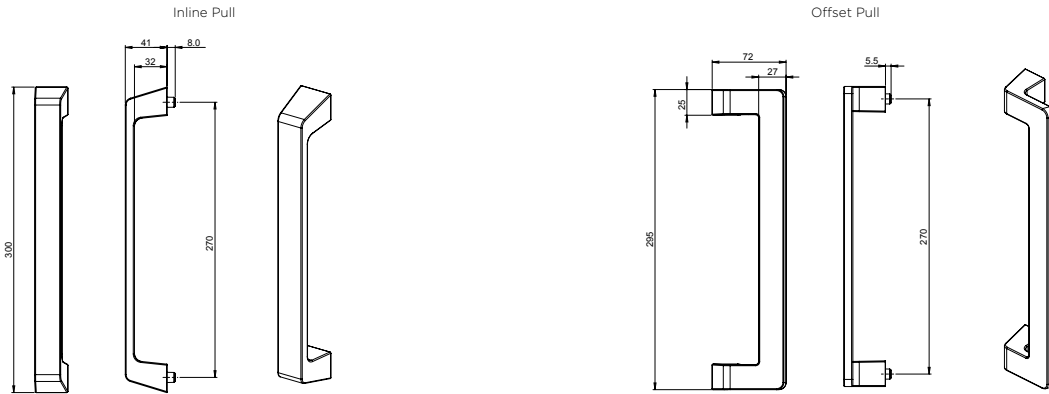


SLIDING DOOR LOCK KITS FOR BACK TO BACK FIXING

DESCRIPTION	COLOUR	CODE
FORGE 28MM SLIDING LOCK OFFSET PULL HANDLE B2B KIT Includes internal and external 300mm offset pull handles with fixing pack, mortice sliding door lock 28mm backset with adjustable strike, 2x Euro escutcheons	Black	FSD28PHB2-B
	Silver	FSD28PHB2-S
	Other PC colours	FSD28PHB2-SP
FORGE 28MM SLIDING LOCK INLINE PULL HANDLE B2B KIT Includes internal and external 300mm inline pull handles with fixing pack, mortice sliding door lock 28mm backset with adjustable strike, 2x Euro escutcheons	Black	FSD28ILB2-B
	Silver	FSD28ILB2-S
	Other PC colours	FSD28ILB2-SP
FORGE 28MM SLIDING LOCK FLUSH PULL B2B KIT Includes 2x flush pulls with fixing screws, mortice sliding door lock 28mm backset with adjustable strike, 2x Euro escutcheons	Black	FSD28FPB2-B
	Silver	FSD28FPB2-S
	Other PC colours	FSD28FPB2-SP

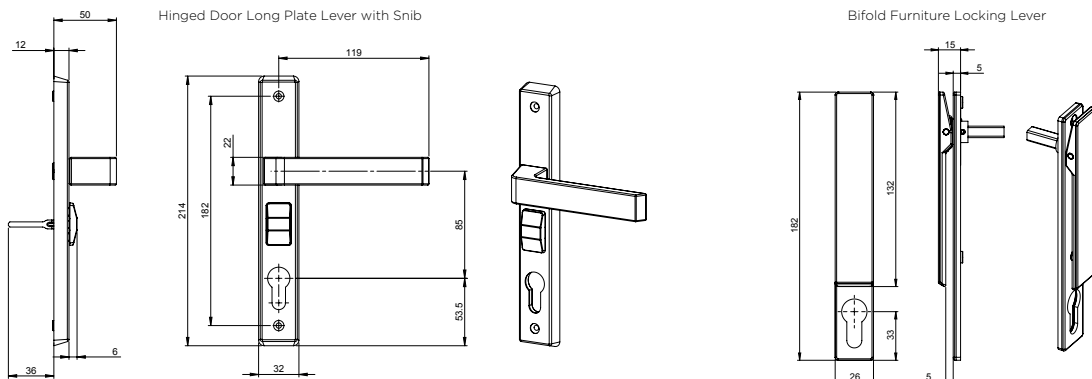
SLIDING DOOR LOCK KITS FOR SINGLE SIDE FIXING

DESCRIPTION	COLOUR	CODE
FORGE 28MM SLIDING LOCK OFFSET PULL HANDLE SF KIT Includes internal 300mm offset pull handle with fixing pack, mortice sliding door lock 28mm backset with adjustable strike, Euro escutcheon	Black	FSD28PHSF-B
	Silver	FSD28PHSF-S
	Other PC colours	FSD28PHSF-SP
FORGE 28MM SLIDING LOCK INLINE PULL HANDLE SF KIT Includes internal 300mm inline pull handle with fixing pack, mortice sliding door lock 28mm backset with adjustable strike, Euro escutcheon	Black	FSD28ILSF-B
	Silver	FSD28ILSF-S
	Other PC colours	FSD28ILSF-SP
FORGE 28MM SLIDING LOCK FLUSH PULL SF KIT Includes flush pull with fixing screws, mortice sliding door lock 28mm backset with adjustable strike, Euro escutcheon	Black	FSD28FPSF-B
	Silver	FSD28FPSF-S
	Other PC colours	FSD28FPSF-SP



HINGED DOOR FURNITURE SETS

DESCRIPTION	COLOUR	CODE
FORGE LONG PLATE LEVER FURNITURE SET WITHOUT SNIIB Includes internal and external long plate lever furniture without snib, fixing screws	Black	FHDSWCNS-B
	Silver	FHDSWCNS-S
	Other PC colours	FHDSWCNS-SP
FORGE LONG PLATE LEVER FURNITURE SET WITH SNIIB Includes internal and external long plate lever furniture with snib, fixing screws	Black	FHDSWCWS-B
	Silver	FHDSWCWS-S
	Other PC colours	FHDSWCWS-SP
FORGE BIFOLD FURNITURE NON-LOCKING Includes bifold handle with short plate without cylinder hole	Black	FHBNL-B
	Silver	FHBNL-S
	Other PC colours	FHBNL-SP
FORGE BIFOLD FURNITURE LOCKING Includes bifold furniture with long plate with Euro cylinder hole	Black	FHBWL-B
	Silver	FHBWL-S
	Other PC colours	FHBWL-SP



HINGED DOOR LOCK KITS

DESCRIPTION	COLOUR	CODE
FORGE 2 POINT 30MM LOCK WITH SNIB FURNITURE KIT Includes internal and external long plate lever furniture with snib with fixing screws, Virtus 2 point hinged door mortice lock 30mm backset with fixing screws, left and right handed 12mm strikes with fixing screws	Black	FHD2P30WS-B
	Silver	FHD2P30WS-S
	Other PC colours	FHD2P30WS-SP
FORGE 4 POINT 30MM LOCK WITH SNIB FURNITURE KIT Includes internal and external long plate lever furniture with snib with fixing screws, Virtus 4 point hinged door mortice lock 30mm backset with fixing screws, left and right handed 12mm strikes with fixing screws, Virtus 4 point rod kit	Black	FHD4P30WS-B
	Silver	FHD4P30WS-S
	Other PC colours	FHD4P30WS-SP

BIFOLD LOCK KITS

DESCRIPTION	COLOUR	CODE
FORGE BIFOLD DUALACC BS LOCKIN FURN 2.5M DTIP ROD KIT Includes 2x bifold furniture with locking plate with dual access fixing screws, dual access mortice bifold lock, Virtus 4 point rod kit	Black	FHBD25DWL-B
	Silver	FHBD25DWL-S
	Other PC colours	FHBD25DWL-SP
FORGE BIFOLD SNGLACC BS NONLOCKIN 2.5M DTIP ROD KIT Includes bifold non-locking furniture with fixing screws, single access mortice bifold lock, Virtus 4 point rod kit	Black	FHBS25DNL-B
	Silver	FHBS25DNL-S
	Other PC colours	FHBS25DNL-SP
FORGE BIFOLD SNGLACC BS LOCKIN FURN 2.5M DTIP ROD KIT Includes bifold furniture with locking plate and fixing screws, single access mortice bifold lock, Virtus 4 point rod kit, low profile Euro cylinder	Black	FHBS25DWL-B
	Silver	FHBS25DWL-S
	Other PC colours	FHBS25DWL-SP

MORTICE LOCKS AND ACCESSORIES

DESCRIPTION	BACKSET	CODE	
FOR SLIDING DOORS			
MORTICE SLIDING DOOR LOCK Includes mortice backset, lock fixing screws, strike fixing screws,	Low profile strike	28.5mm	SSH15100S
	Standard strike	40mm	SSH16100S
		28.5mm	SSH15100
Standard strike for mortice sliding door lock		MSDL-SSTK	
Low profile strike for mortice sliding door lock		MSDL-LSTK	
Narrow strike for mortice sliding door lock		MSDL-NSTK	
Flast strike for mortice sliding door lock		MSDL-FSTK	
FOR HINGED DOORS			
AUSTRAL LOCK VIRTUS 2 POINT LOCK Includes mortice backset and lock fixing screws	30mm	2PT-30A	
	40mm	2PT-40A	
	60mm	2PT-60A	
AUSTRAL LOCK VIRTUS 4 POINT LOCK Includes mortice backset and lock fixing screws	30mm	4PT-30A	
	40mm	4PT-40A	
	60mm	4PT-60A	
Virtus 12mm left and right handed strike pair with fixing screws		2PT-12ASK	
Virtus 60mm long lip non-handed strike		2PT-60ASK	
Virtus 4 point rod kit for panels upto 2.5m height		4PT-RK25	
Virtus 1m extension rod kit to extend 4PT-RK25 for panel upto 3.5m height		4PT-RKEX	

CYLINDERS

DESCRIPTION	COLOUR	CODE	
		C4 KEYWAY	GR9 KEYWAY
Fix cam 70mm 5 pin double Euro cylinder keyed alike	PVD Black	AAF705C4MB/KA	AAF705GMB/KA
	Satin Chrome	AAF705C4SC/KA	AAF705GSC/KA
Fix cam 70mm 5 pin double Euro cylinder with thumb turn keyed alike	PVD Black	AAF705C4TTMB/KA	AAF705GTTMB/KA
	Satin Chrome	AAF705C4TTSC/KA	AAF705GTTSC/KA
Fix cam 45mm 5 pin single Euro cylinder keyed alike	PVD Black	AAF455C4MB/KA	AAF455GMB/KA
	Satin Chrome	AAF455C4SC/KA	AAF455GSC/KA
Fix cam 45mm single Euro cylinder with thumbturn	PVD Black	AAF45TTMB	
	Satin Chrome	AAF45TTSC	

About Allegion™

Allegion (NYSE: ALLE) is a global pioneer in seamless access, with leading brands like CISA®, Interflex®, LCN®, Schlage®, SimonsVoss® and Von Duprin®. Focusing on security around the door and adjacent areas, Allegion secures people and assets with a range of solutions for homes, businesses, schools and institutions.

For more, visit www.allegion.com.au or www.allegion.co.nz

Brio ■ <FSH> ■ Gainsborough ■ LEGGE ■ SCHLAGE

Due to continuous product development, some products may vary from that shown. The Allegion guarantee, shown on the pages within applied only when properly installed and subjected to no more than fair wear and tear. This guarantee does not extend to labour costs, personal loss, death or injury or economic, consequential or property damage of any kind whatsoever. Due to the nature of the printing process, colours may vary from those shown in this brochure.

Allegion (Australia) Pty Ltd

Freephone 1800 098 094

Freefax 1800 098 095

Email info.au@allegion.com

www.allegion.com.au

999AUB_FORGE
©2024 ALLEGION

