



Austral Lock

BY GAINSBOROUGH

Aurora Long Plate Lever Furniture

A unique combination of style and innovation. The Aurora Long Plate Lever furniture has been designed to compliment the Gainsborough range. Made from Australian Zinc and featuring an easy to use privacy internal slide snib, the Aurora can offer multi-point locking when combined with the Austral Lock Virtus Mortice locks.

Suitable for residential and semi-commercial applications

Sliding snib provides privacy locking from the interior

Compatible with 2 and 4 point Virtus mortice locks



AS1428.1 compliant return to door lever option available

Designed to align with Gainsborough Aurora levers

Long lasting powder coat finish available in over 24 colours



High quality Zinc die cast

Specifications

Door type	Timber or aluminium
Door thickness	Minimum 40mm to Maximum 60mm
Lock body*	Any 85mm centres hinged door mortice lock. Austral Lock Virtus hinged mortice lock must be used for sliding snib feature
Spindle size	8mm
Material	Zinc die-cast
Handing	Easy, field selectable handing pieces
Cylinder*	Suits fixed cam Euro profile cylinders, available seperately
Finishes*	Powder coated finish, with 25 stocked colours available

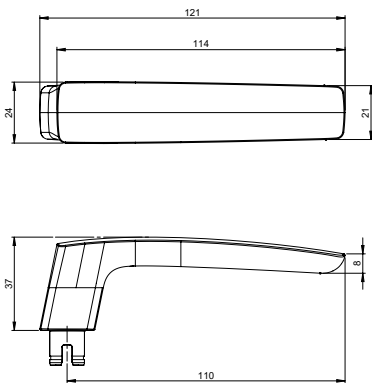
*Scan QR code for more information on the Aurora lever range and the Virtus Lock, compatible Euro cylinders and powder coat colours

Furniture kits

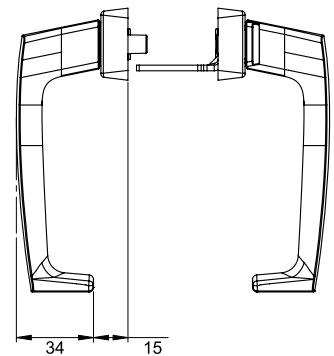
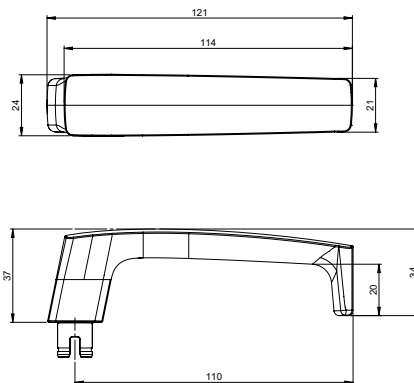
Standard lever, with cylinder cutout and sliding snib, black	AHDSWCWS-B
Standard lever, with cylinder cutout and sliding snib, silver	AHDSWCWS-S
Standard lever, with cylinder cutout and sliding snib, any colour	AHDSWCWS-SP
Standard lever, with cylinder cutout (no sliding snib), any colour	AHDSWCNS-SP
Standard lever, (no cylinder cutout or sliding snib), any colour	AHDSNCNS-SP
Return to door lever, with cylinder cutout and sliding snib, any colour	AHDDWCWS-SP
Return to door lever, with cylinder cutout (no sliding snib), any colour	AHDDWCNS-SP
Return to door lever, (no cylinder cutout or sliding snib), any colour	AHDDNCNS-SP

Lever dimensions

Standard lever

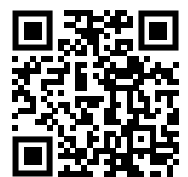
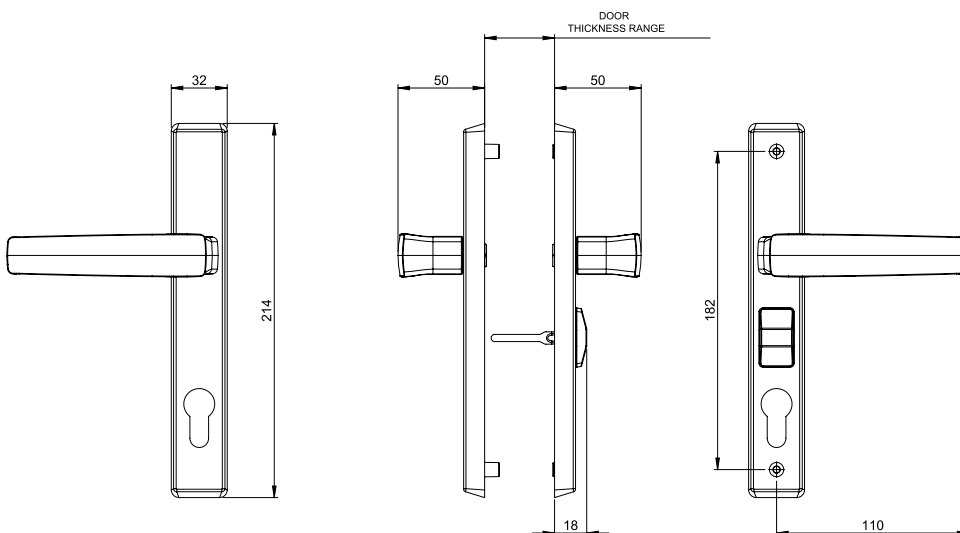


Return to door lever
(Complies to AS1428.1 requirements)



Furniture dimensions

Standard lever with snib and cylinder cutout



Allegion (Australia) Pty Ltd
 Freephone 1800 098 094
 Freefax 1800 098 095
 Email info.au@allegion.com
www.allegion.com.au

999AUF_AURORA REV A

©2024 ALLEGION

All rights reserved. No part of this document can be copied or used without permission

