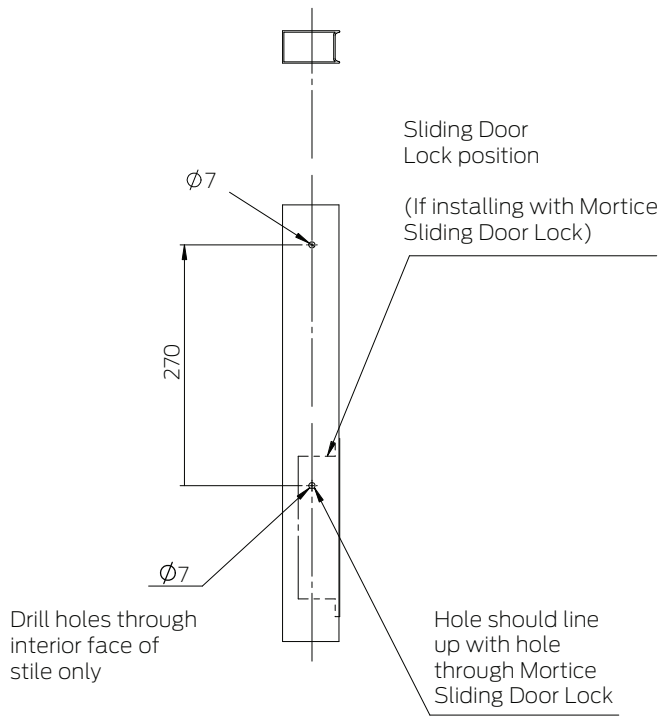


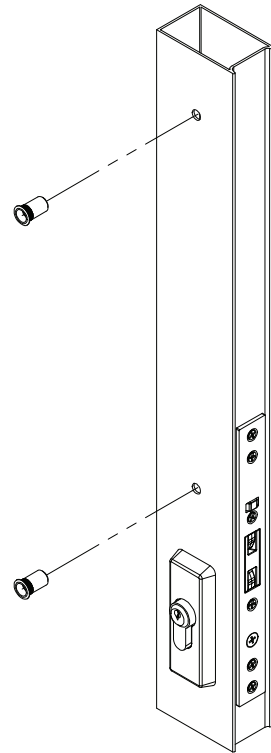
1. Door preparation

- Route the door as shown in the routing diagram



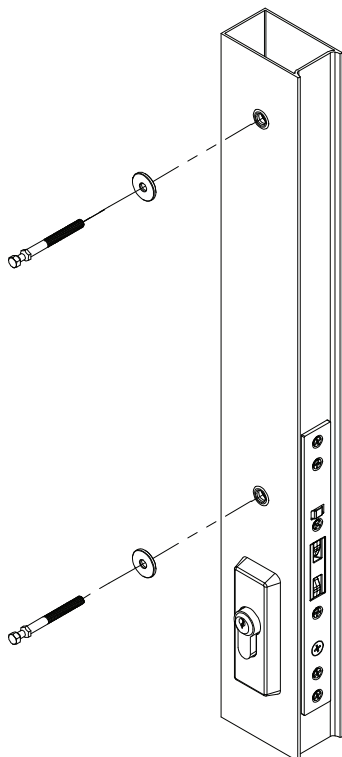
2. Fixing rivnuts

- Fix rivnuts to stile using rivnut gun



3. Fixing handle mounting screws

- Screw 2x handle fastening half set screws into rivnuts using 2x 2mm spacers as shown. The stepped face of the spacer should face the stile.



4. Fixing handle

- Attach interior handle over screw heads and fix using 2x grub screws as shown in image below.

