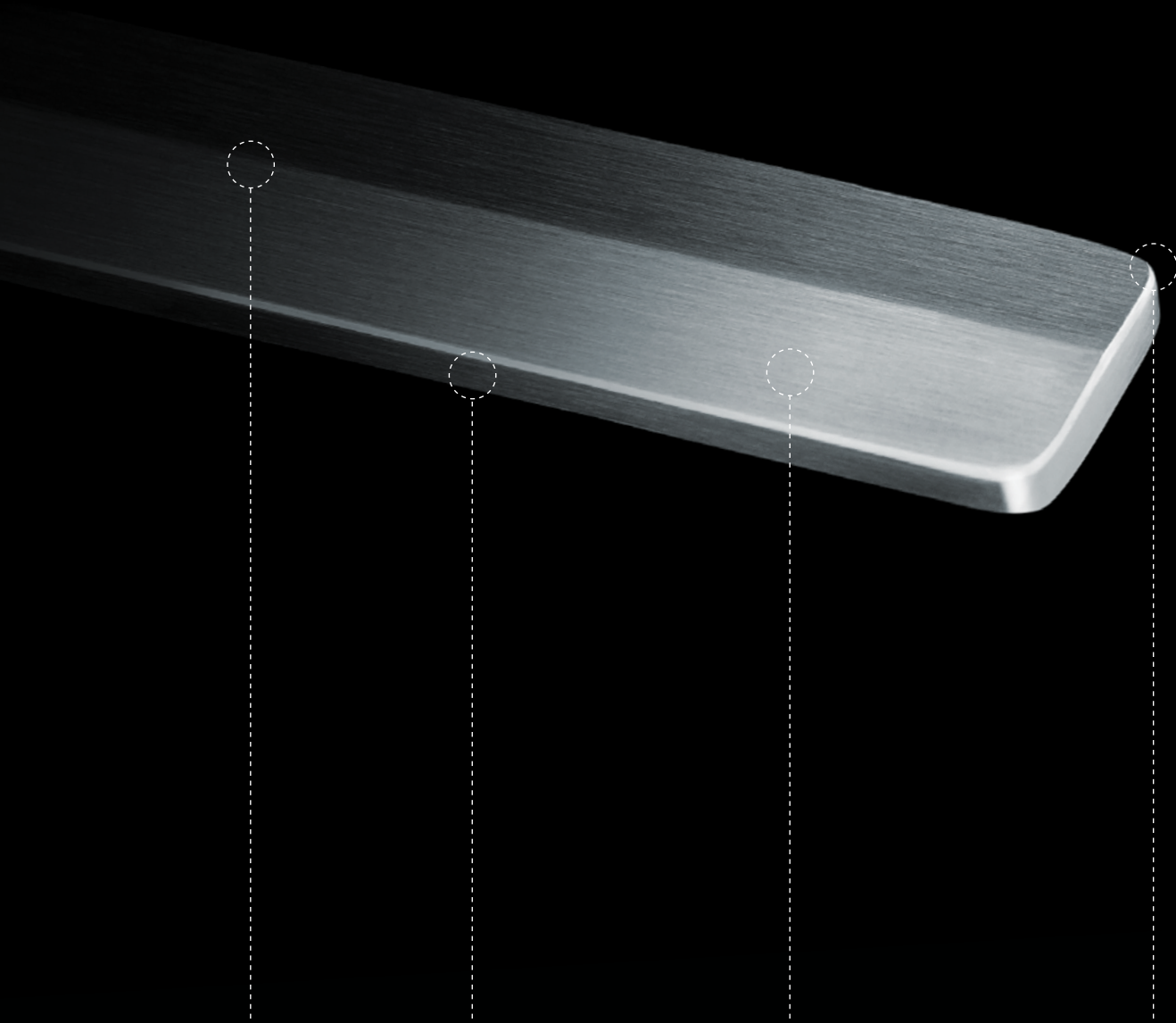




Austral Lock
BY GAINSBOROUGH

VERTA™ SERIES





LINEAL

Subtle, architectural lines create planes to reflect light in every direction

TACTILE SURFACE

Straight edges transition to gently rounded backs, curving into your hand and creating a soft touch point

STAINLESS STEEL

Constructed from marine-grade stainless steel gives Verta strength, presence and lasting beauty

RADIUS CORNERS

Hard, straight lines soften into a radius corner, creating a juxtaposition between straight and curved

Verta [värd]

- 1. From Swedish (“worth, worthy”)**
- 2. (archaic) match (equal or superior in comparison)**

ALL THE ELEMENTS

Verta’s range of sliding and hinged door furniture gives you the freedom to create spaces you love.

Beautifully designed products need attention to detail from creation to completion. Every element of Verta has been sourced, crafted and finished by experts.

Each piece of Verta is constructed from stainless steel. We start with one of the highest grades of stainless steel available - 316 marine-grade.

After construction, Verta is tested. And tested. And tested again. To endurance standards of 200,000 cycles.

Verta’s precision engineering, uncompromised design and superior construction is the perfect balance between functionality and beautiful design.

Scan to see complete range.





Entrance Pull Handle

800mm length
SSS16000
MB16000

Hinged

GRAND ENTRANCES

Create a grand entrance to your home with Verta's Entrance Pull Handle. Make a bold statement with your front door and showcase stylish accents throughout your home.

Enchant your visitors with classic lines and modern design; delight senses with tactile surfaces, hard steel and soft edges. Enjoy a stylish entrance each time you enter your home.

Close one door, open another. Match the back door to the front. Inside or out, Verta's designer accents reflect and enhance your individual style.

Long Plate Lever

214mm length



V13007-S



V13005-S



V13005-B

Euro Cylinder Escutcheon

92mm length



V15004-S



V15004-B

Also available in kits, refer to pages 10 - 11 for codes
7 year tarnish / 10 year mechanical warranty
Constructed from 316 marine-grade stainless steel
Suitable for internal and external use
Available in satin stainless steel and PVD satin black finishes



**“Fashion is architecture:
It is a matter of proportions.”**

Coco Chanel

**“Beauty awakens
the soul to act.”**

Dante Alighieri



Sliding

VISTAS

Bring the outside in. Create open spaces or snug hideaways.
Transform a room, change spaces and enhance beautiful vistas.

Verta's range of sliding door furniture gives you the freedom to create spaces you love.

Whether your design calls for matching back to back hardware on the interior and exterior or just a single side fix on the interior, Verta offers a variety of kits to match your needs.

Flush Pull

250mm length

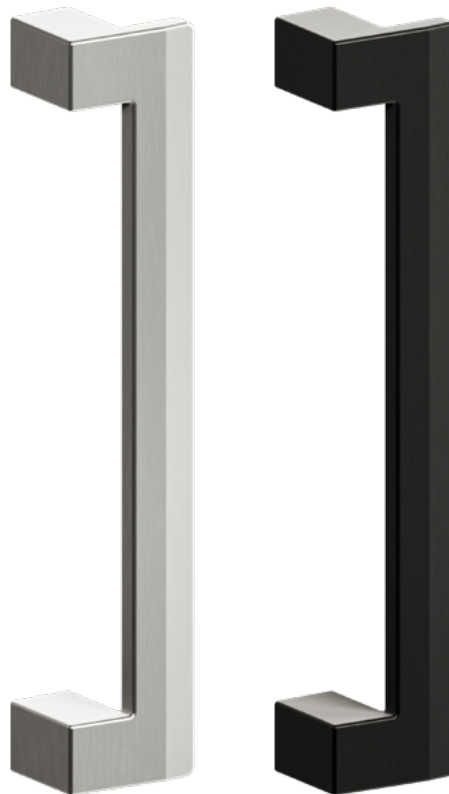


V15102-S

V15102-B

Offset Pull Handle

300mm length



V15100-S

V15100-B

Euro Cylinder Escutcheon

92mm length



V15004-S

V15004-B

Also available in kits, refer to pages 10 - 11 for codes
7 year tarnish / 10 year mechanical warranty
Constructed from 316 marine-grade stainless steel
Suitable for internal and external use
Available in satin stainless steel and PVD satin black finishes

PEACE OF MIND

Sleep soundly knowing you are protecting those that are important. Locally engineered and made to meet local conditions, ensures it works first time, every time.

VIRTUS HINGED DOOR MORTICE LOCK



MORTICE BACKSET	2 point 30mm, 40mm or 60mm 4 point 30mm, 40mm or 60mm
DOOR THICKNESS	32-60mm
CONSTRUCTION	SS face plate and high strength SS load bearing internal components
DURABILITY*	D8
STRENGTH RATING*	S8
WARRANTY	10 years
ADDITIONAL FEATURES	<p>Double throw of deadbolt: 13mm and 22mm</p> <p>Latch retraction with key on 2 point backset for easy access</p> <p>Magnetic multipoint rod kits with 4 point backsets for easy installation</p> <p>Adjustable, curved latch for varying door gaps and quieter closing</p> <p>Offers sliding snib feature for privacy locking from inside (when used with sliding snib furniture)</p> <p>Available in flush mount variants (smaller faceplate with radius corner and fixing tabs)</p> <p>Compatible with industry standard Euro profile cylinders</p>

*Tested to these ratings as per AS4145.2:2008

2 Point Hinged Mortice Lock
2PT-30A (30mm back set)
2PT-40A (40mm back set)
2PT-60A (60mm back set)

4 Point Hinged Mortice Lock
4PT-30A (30mm back set)
4PT-40A (40mm back set)
4PT-60A (60mm back set)

MORTICE SLIDING DOOR LOCK



MORTICE BACKSET	28.5mm or 40mm
DOOR THICKNESS	32-45mm
CONSTRUCTION	SS face plate and strikes
DURABILITY*	D8
STRENGTH RATING*	S7
WARRANTY	10 years
ADDITIONAL FEATURES	Secure double-hook bolts with anti-lift design Anti-slam feature prevents bolts being thrown unless door is closed Adjustable strike supplied as standard with other variations available

*Tested to these ratings as per AS4145.2:2008

Sliding Door Mortice Lock
MSDL28AS 28.5mm backset with standard strike
MSDL28AL 28.5mm backset with low profile strike
MSDL40AS 40mm backset with standard strike
MSDL40AL 40mm backset with low profile strike

EURO PROFILE CYLINDERS



See pg. 11 for full list of product codes

APPLICATION	Sliding and Hinged doors
DESCRIPTION	Euro profile fix cam 5 pin cylinders
MORTICE BACKSET	Compatible with all industry standard Euro profile mortice backsets
DOOR THICKNESS	Depends upon the furniture used
CONSTRUCTION	Solid brass core
DURABILITY*	D8
WARRANTY	10 years
ADDITIONAL FEATURES	35mm offset from the center on each side for double cylinders Clutch mechanism allows key operation if another key is inserted on the other side Available with single cylinder, double cylinder or thumbturn Grub screws hold the pins for easy repinning using Allen key

*Tested to these ratings as per AS4145.2:2008

SLIDING DOOR FURNITURE SETS

DESCRIPTION	BLACK	STAINLESS STEEL
VERTA OFFSET PULL HANDLE BACK TO BACK Includes internal and external 300mm offset pull handles with fixing screws	V15000-B	V15000-S
VERTA OFFSET PULL HANDLE SINGLE SIDE Includes 300mm offset pull handle with fixing screws	V15100-B	V15100-S
VERTA 800mm PULL HANDLE BACK TO BACK Includes internal and external inline pull handles with fixing screws	MB16000*	SSS16000*
VERTA FLUSH PULL BACK TO BACK Includes 2 flush pulls and fixing screws	V15002-B	V15002-S
VERTA FLUSH PULL SINGLE Includes flush pull with fixing screws	V15102-B	V15102-S
VERTA EURO ESCUTCHEON Includes Euro cylinder escutcheon with fixing screws	V15004-B	V15004-S

*Note that 800mm pull handle retains original codes and matte black finish

SLIDING DOOR LOCK KITS FOR BACK TO BACK FIXING

DESCRIPTION	BACKSET	BLACK	STAINLESS STEEL
VERTA SLIDING FLUSH PULL BACK TO BACK LOCKING KIT Includes 2x pulls, mortice sliding door lock, adjustable strike, 2x Euro escutcheons	28.5mm	VSD28FPB2-B	VSD28FPB2-S
	40mm	VSD40FPB2-B	VSD40FPB2-S
VERTA SLIDING 300mm OFFSET PULL HANDLE BACK TO BACK LOCKING KIT Includes internal and external handles, mortice sliding door lock, adjustable strike, 2x Euro escutcheons	28.5mm	VSD28PHB2-B	VSD28SHB2-S

SLIDING DOOR LOCK KITS FOR SINGLE SIDE FIXING

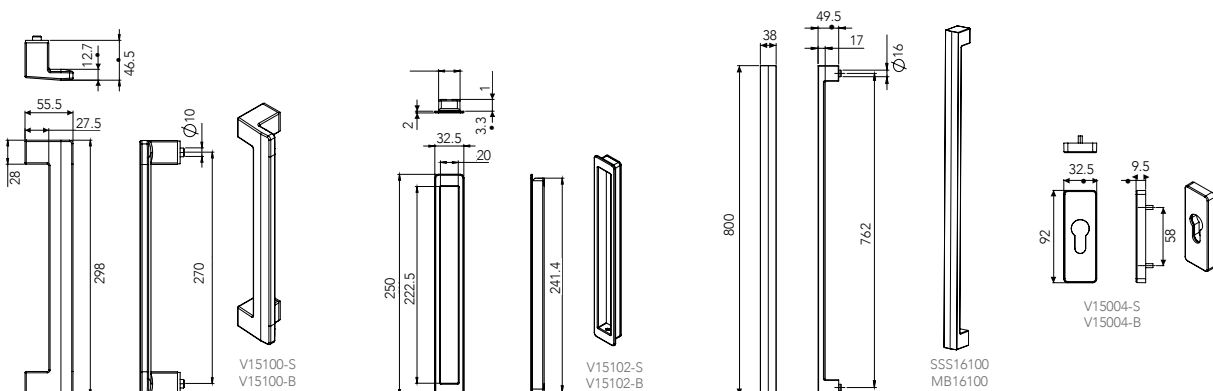
DESCRIPTION	BACKSET	BLACK	STAINLESS STEEL
VERTA SLIDING FLUSH PULL SINGLE FIX LOCKING KIT Includes 2x pulls, mortice sliding door lock, adjustable strike, 2x Euro escutcheons	28.5mm	VSD28FPSF-B	VSD28FPSF-S
	40mm	VSD40FPSF-B	VSD40FPSF-S
VERTA SLIDING 300mm OFFSET PULL HANDLE SINGLE FIX LOCKING KIT Includes internal handle, mortice sliding door lock, adjustable strike, 2x Euro escutcheons	28.5mm	VSD28PHSF-B	VSD28SHSF-S

HINGED DOOR FURNITURE AND SETS

DESCRIPTION	BLACK	STAINLESS STEEL
Verta long plate interior lever without snib	V13002-B	V13002-S
Verta long plate interior lever with sliding snib	V13007-B	V13007-S
Verta long plate lever exterior	V13005-B	V13005-S
Verta long plate lever set - exterior & interior without snib	VHDSWCNS-B	VHDSWCNS-S
Verta long plate lever set - exterior & interior with sliding snib	VHDSWCWS-B	VHDSWCWS-S

HINGED DOOR LOCK KITS

DESCRIPTION	SNIB*	BLACK	STAINLESS STEEL
VERTA 2 POINT 30MM LOCK FURNITURE KIT Includes internal* and external long plate lever furniture, Virtus 2 point hinged door mortice lock 30mm backset, left and right handed 12mm strikes and fixing screws	With	VHD2P30WS-B	VHD2P30WS-S
	Without	VHD2P30NS-B	VHD2P30NS-S
VERTA 4 POINT 30MM LOCK FURNITURE KIT Includes internal* and external long plate lever furniture, Virtus 4 point hinged door mortice lock 30mm backset, left and right handed 12mm strikes, Virtus 4 point rod kit and fixing screws	With	VHD4P30WS-B	VHD4P30WS-S
	Without	VHD4P30NS-B	VHD4P30NS-S



MORTICE LOCKS AND ACCESSORIES

DESCRIPTION	BACKSET	CODE
FOR SLIDING DOORS		
MORTICE SLIDING DOOR LOCK Includes mortice backset, lock fixing screws, strike fixing screws	Low profile strike	28.5mm 40mm
	Standard strike	28.5mm 40mm
Standard strike for mortice sliding door lock		MSDL-SSTK
Low profile strike for mortice sliding door lock		MSDL-LSTK
Narrow strike for mortice sliding door lock		MSDL-NSTK
Flat strike for mortice sliding door lock		MSDL-FSTK
FOR HINGED DOORS		
AUSTRAL LOCK VIRTUS 2 POINT LOCK Includes mortice backset and lock fixing screws	30mm	2PT-30A*
	40mm	2PT-40A*
	60mm	2PT-60A*
AUSTRAL LOCK VIRTUS 4 POINT LOCK Includes mortice backset and lock fixing screws	30mm	4PT-30A*
	40mm	4PT-40A*
	60mm	4PT-60A*
Virtus 12mm left and right handed strike pair with fixing screws		2PT-12ASK
Virtus 60mm long lip non-handed strike		2PT-60ASK
Virtus 4 point rod kit for panels upto 2.5m height		4PT-RK25
Virtus 1m extension rod kit to extend 4PT-RK25 for panel upto 3.5m height		4PT-RKEX
Virtus 4 point rod D tip guides		4PT-RK-DG

*Flush mount variants available with radius corner face plate and fixing tabs included, add '-FM' to these codes to order flush mount locks

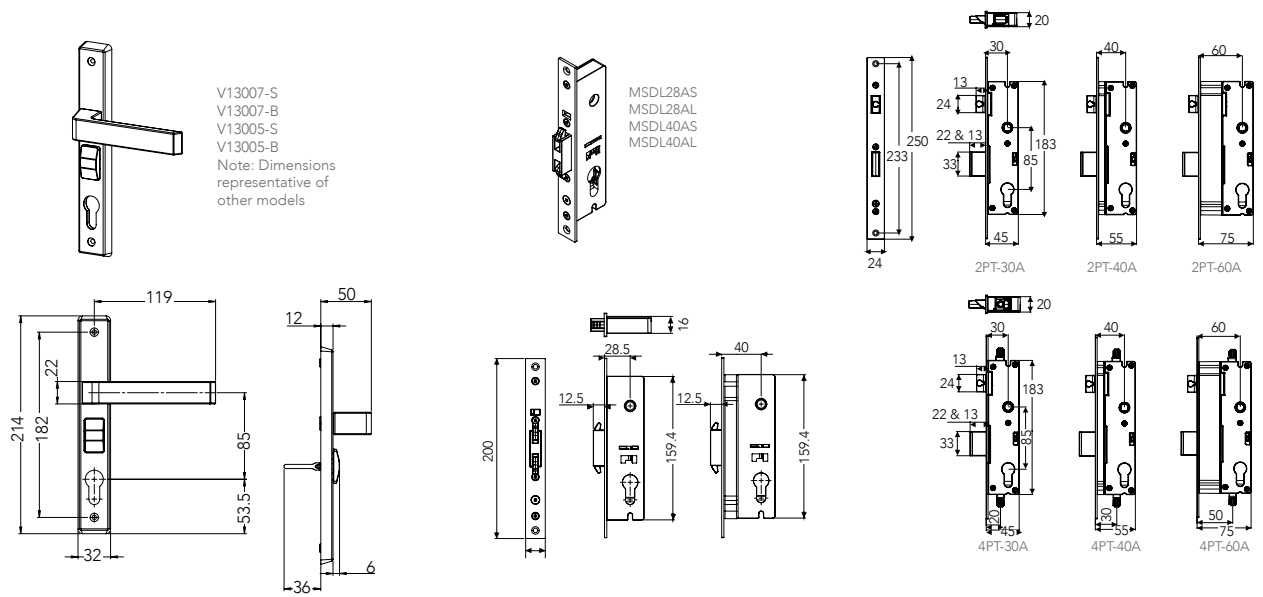
CYLINDERS

DESCRIPTION	COLOUR	CODE C4 KEYWAY	CODE GR9 KEYWAY
Fix cam 70mm 5 pin double Euro cylinder keyed alike	PVD Black	AAF705C4MB/KA*	AAF705GMB/KA
	Satin Chrome	AAF705C4SC/KA*	AAF705GSC/KA
Fix cam 70mm 5 pin double Euro cylinder with thumb turn keyed alike	PVD Black	AAF705C4TTMB/KA**	AAF705GTTMB/KA
	Satin Chrome	AAF705C4TTSC/KA**	AAF705GTTSC/KA
Fix cam 45mm 5 pin single Euro cylinder keyed alike	PVD Black	AAF455C4MB/KA	AAF455GMB/KA
	Satin Chrome	AAF455C4SC/KA	AAF455GSC/KA

* Key codes 801 to 810 available as stocked items, use /801 to /810 in place of /KA for ordering

** Key codes 801 to 810 available as stocked items, use 801 to 810 (NO FORWARD SLASH) in place of /KA for ordering

For custom keying, use "K" in place of "/KA" for C4 and GR9 codes



About Allegion™

Allegion (NYSE: ALLE) is a global pioneer in seamless access, with leading brands like CISA®, Interflex®, LCN®, Schlage®, SimonsVoss® and Von Duprin®. Focusing on security around the door and adjacent areas, Allegion secures people and assets with a range of solutions for homes, businesses, schools and institutions.

For more, visit www.allegion.com.au or www.allegion.co.nz

Brio ■ <FSH> ■ *Gainsborough* ■ LEGGE ■ SCHLAGE

Due to continuous product development, some products may vary from that shown. The Allegion guarantee, shown on the pages within applied only when properly installed and subjected to no more than fair wear and tear. This guarantee does not extend to labour costs, personal loss, death or injury or economic, consequential or property damage of any kind whatsoever. Due to the nature of the printing process, colours may vary from those shown in this brochure.

Allegion (Australia) Pty Ltd

Freephone 1800 098 094

Freefax 1800 098 095

Email info.au@allegion.com

www.allegion.com.au

999/AUB_VERTA-R3
©2024 ALLEGION

