

Virtus Two Point Mortice Lock

The Austral Lock Virtus two point mortice lock is a reliable locking solution for residential aluminium or timber doors. Designed and developed to Australian Standards, the Virtus two point mortice lock is a secure solution, offering a locking latch and a deadbolt which throws to 13mm and 22mm deadbolt in one lock. The Virtus two point lock is compatible with standard fixed cam Euro profile cylinders and achieves S8 security rating and D8 durability rating as per AS4145: 2008.2. The Virtus lock can be used with Verta, Forge and Aurora furniture.



Features

- Provides two points of locking: latch and deadbolt
- Deadbolt can extend 13mm on one turn and 22mm on the next half turn of the key/thumb turn once or twice without adjustment to the lock
- Deadbolt returns from either 13mm or 22mm state with one turn of the key/thumb turn
- 30mm, 40mm and 60mm backset options
- Easy handing by latch rotation
- Adjustable latch projection
- Latch can be retracted by key/thumb turn
- Compatible with standard fixed cam Euro profile cylinders
- Employs the same door preparation as the Austral Lock Virtus four point lock
- Fixing tabs and a narrower (22mm wide) face plate with radius corners available for easy flush mount installation
- Offers privacy locking as well as deadlocking*

*Privacy locking is offered when compatible sliding snib furniture is used

Warranties

Mechanical	10 years
Finish	7 years

Specifications

Door type	Timber or aluminium
Door thickness	Minimum 32mm (or 40mm when used with long plate furniture)
Backset	30mm, 40mm or 60mm
Spindle size	8mm
Lock case material	Zinc die-cast
Faceplate	Stainless steel, square corner faceplate for face mount installation; narrower and radius corner faceplate available for flushmount installation
Cylinder*	Suits fixed cam Euro profile cylinders, available separately
Lever furniture*	Can be used with long plate furniture under Austral Lock Aurora series, Verta series or Brio 288 series

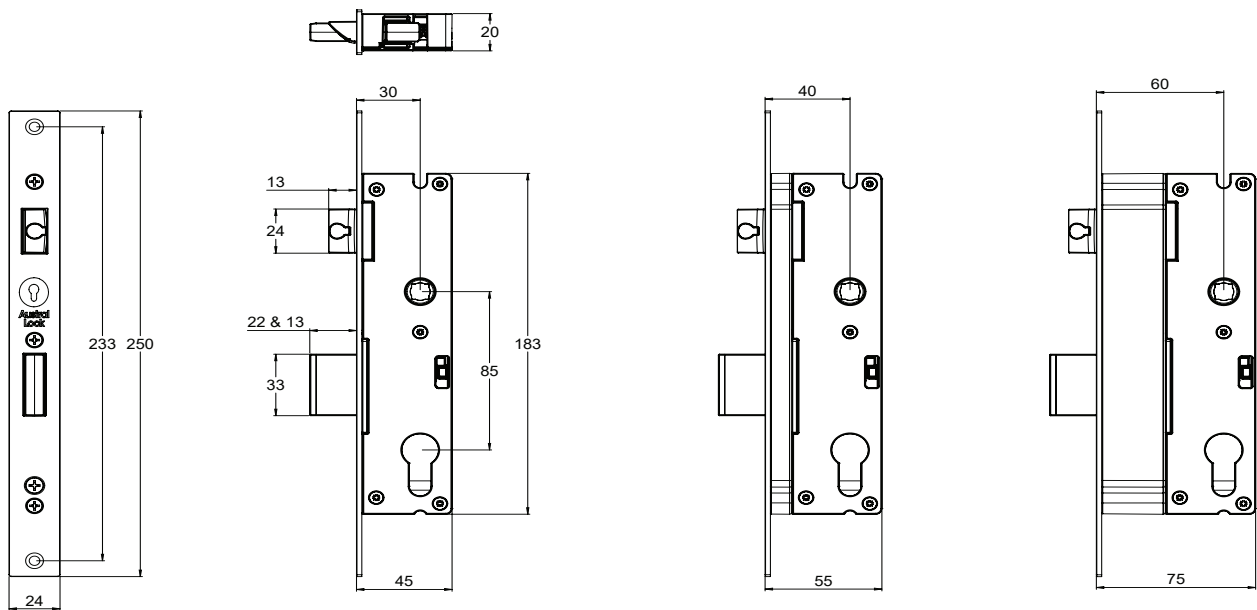
*Refer to Allegion price guide and the Austral Lock website for compatible euro cylinder range

Product Codes

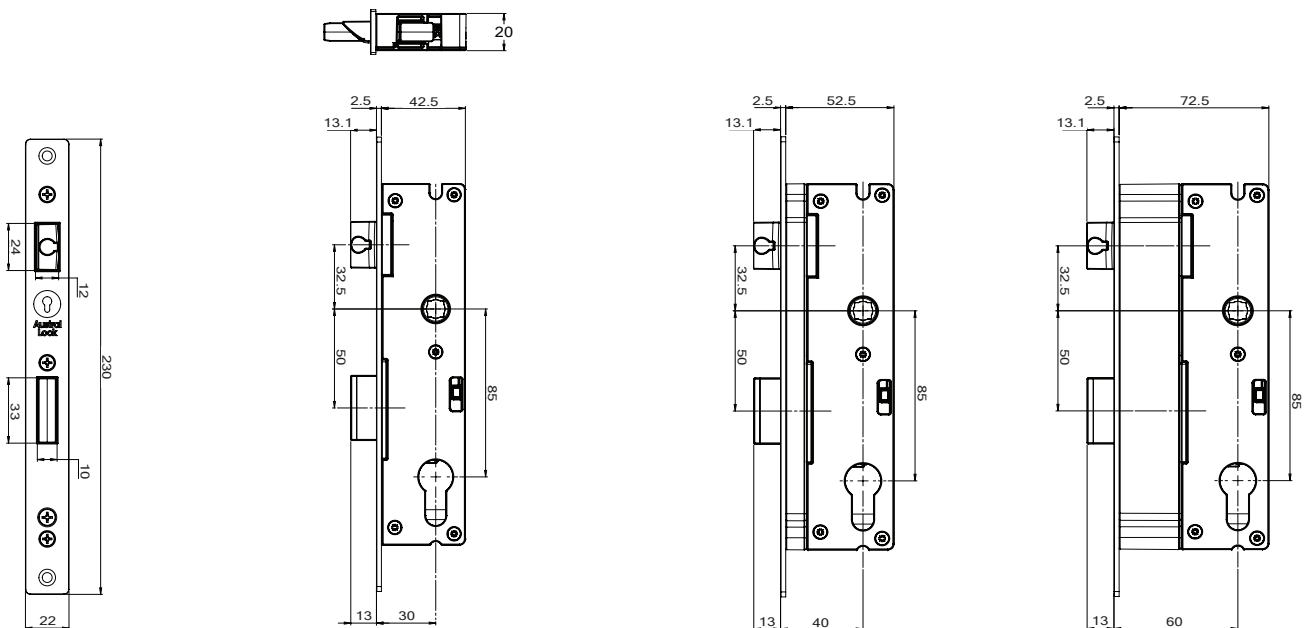
Face mount backsets, incl. fixing screws	
Virtus 2 Point 30mm backset	2PT-30A
Virtus 2 Point 40mm backset	2PT-40A
Virtus 2 Point 60mm backset	2PT-60A
Flush mount backsets, incl. fixing tabs and fixing screws	
Virtus 2 Point 30mm flush mount backset	2PT-30A-FM
Virtus 2 Point 40mm flush mount backset	2PT-40A-FM
Virtus 2 Point 60mm flush mount backset	2PT-60A-FM
Accessories	
12mm left and right handed strikes pair, incl. fixing screws	2PT-12ASK
60mm long lip non-handed flat strike (no screws included)	2PT-60ASK
22mm wide fixing tabs for flush mount installation incl. fixing screws	22MMFIXTAB

Diagrams

Facemount backsets dimensions

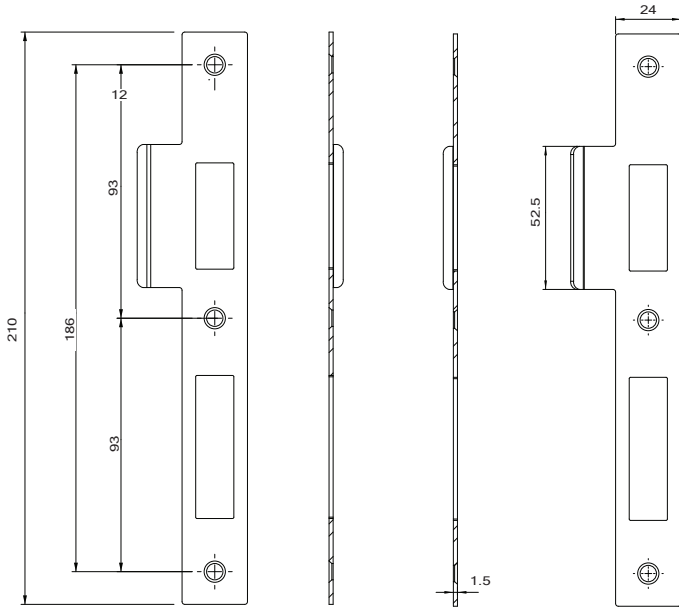


Flushmount backsets dimensions

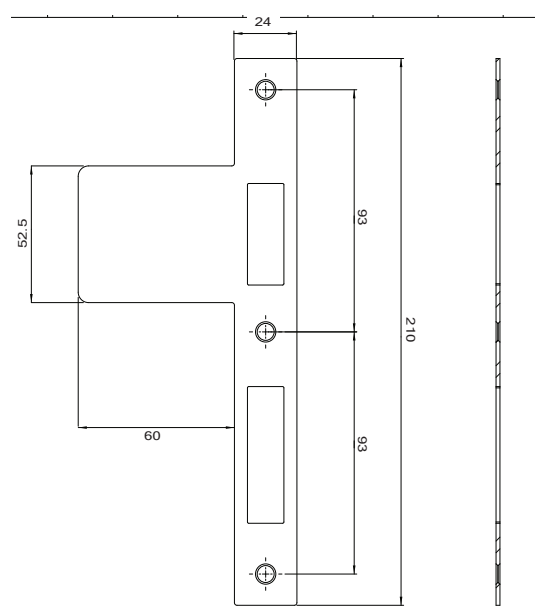


Strike plates dimensions

12mm left and right handed bent lip strikes

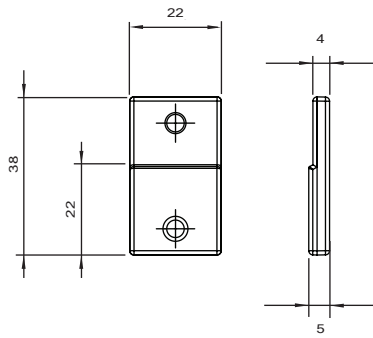


60mm long lip non-handed flat strike



Fixing tabs dimensions

22mm wide stepped fixing tabs

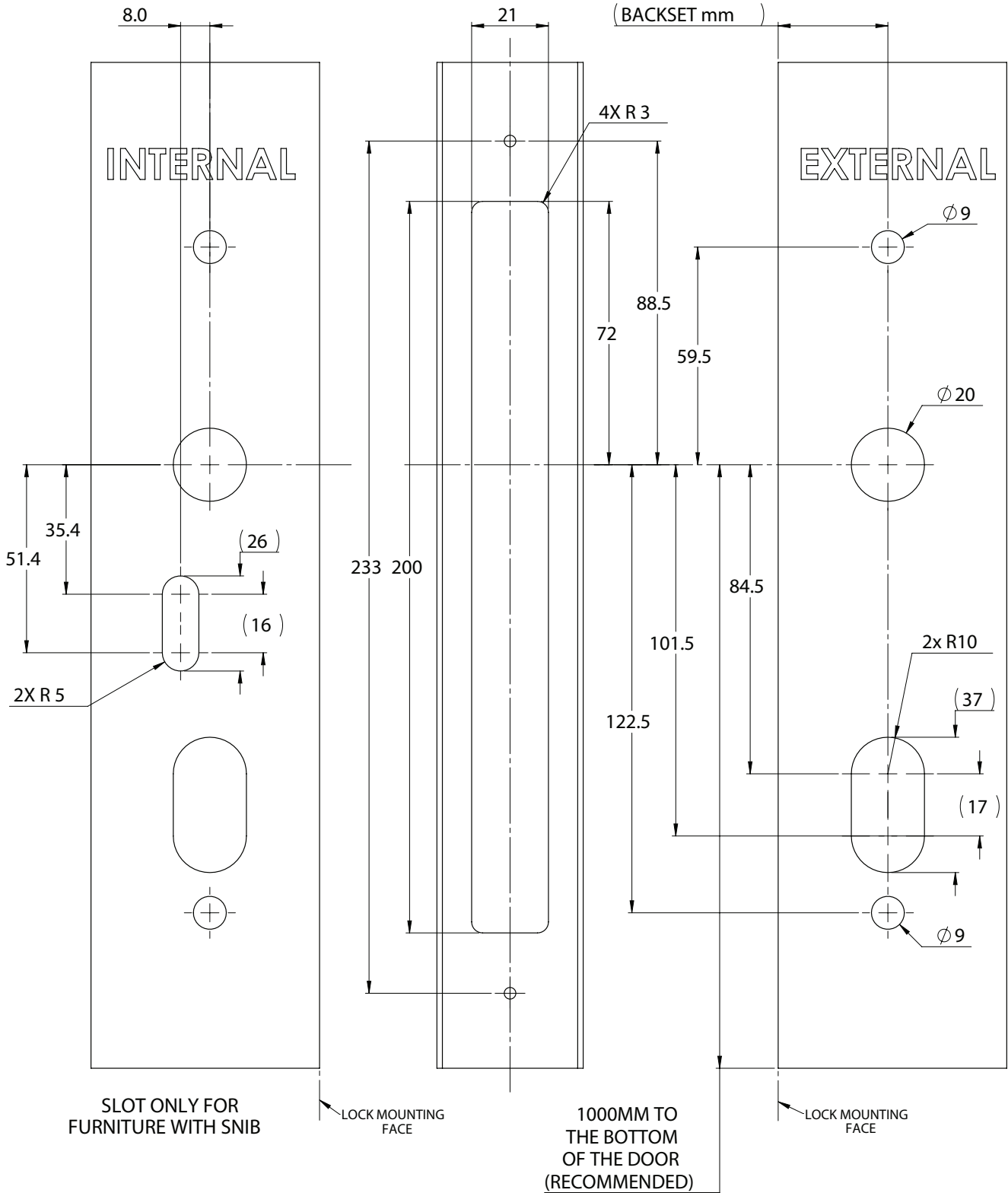


Door cutout dimensions

For face mount installation

30mm Backset - 27.5mm
 40mm Backset - 37.5mm
 60mm Backset - 57.5mm

(BACKSET mm)



Door cutout dimensions

For flush mount installation

30mm Backset - 30mm
 40mm Backset - 40mm
 60mm Backset - 60mm

(BACKSET mm)

