

Interior/exterior D handles
with 60mm opening

Raised, 50mm long
turn snib for easy use

Offset lock cylinder
increases knuckle
clearance for key operation

Safe egress with
internal snib unlocking



Astral Lock

BY GAINSBOROUGH

Yarra Horizon Access

Inclusive design with security you can trust

Specifically designed to meet the requirements of AS 1428.1 (Access and Mobility), the Yarra Horizon Access sliding patio door lock ensures effortless operation for all abilities. Australian made, it delivers a modern aesthetic for homes and accessible accommodation, with all the trusted benefits of the Yarra Horizon plus a whole lot more.

LOCKSETS

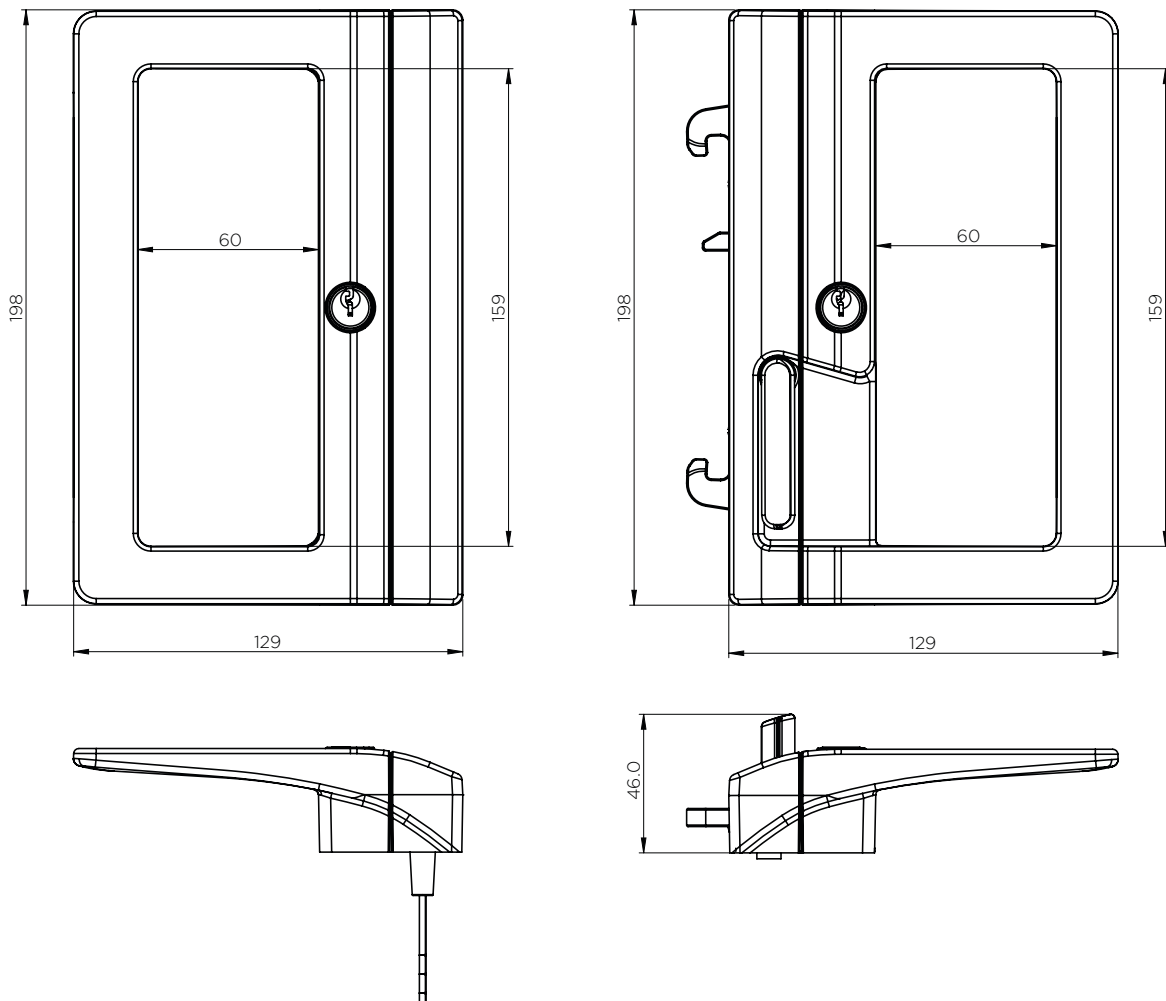
DESCRIPTION	VARIANT	CODE
YARRA HORIZON ACCESS LOCKSET Includes internal and external handles, catch plates and fixing pack, cylinders not included	16mm catch plate	YHDDA ^{colour*}
	25mm catch plate	YHDDAWC ^{colour*}
	No catch plate	YHDDANC ^{colour*}

***colour** - BLST for black, WHGL for white, for any other powder coat, use SP

CYLINDERS

DESCRIPTION	CODE
C4 5 PIN CYLINDER	YCC4B/KA10 or KD10*
GR9 5 PIN CYLINDER	YCGB/KA10
WAFER CYLINDER	YCWS/KA10

*Key codes 801 to 810 available as stocked items, use /801 to /810 in place of /KA for ordering



This product has been deemed:

- Compliant for Improved Liveability, Fully Accessible and High Physical Support under the SDS Design Standard
- Compliant with National Construction Code and Australian Standard AS 1428.1:2001
- Suitable for accommodation for people with disabilities



Allegion (Australia) Pty Ltd
 Freephone 1800 098 094
 Freefax 1800 098 095
 Email info.au@allegion.com
www.allegion.com.au

999/AUF_YHA

©2026 ALLEGION

All rights reserved. No part of this document can be copied or used without permission

