

Interior/exterior D handles  
with 60mm opening

Raised, 50mm long  
turn snib for easy use

Offset lock cylinder  
increases knuckle  
clearance for key operation

Safe egress with  
internal snib unlocking



# Austral Lock

BY GAINSBOROUGH

## Yarra Horizon Access

**Inclusive design with security you can trust**

Specifically designed to meet the requirements of AS 1428.1 (Access and Mobility), the Yarra Horizon Access sliding patio door lock ensures effortless operation for all abilities. Australian made, it delivers a modern aesthetic for homes and accessible accommodation, with all the trusted benefits of the Yarra Horizon plus a whole lot more.

# LOCKSETS

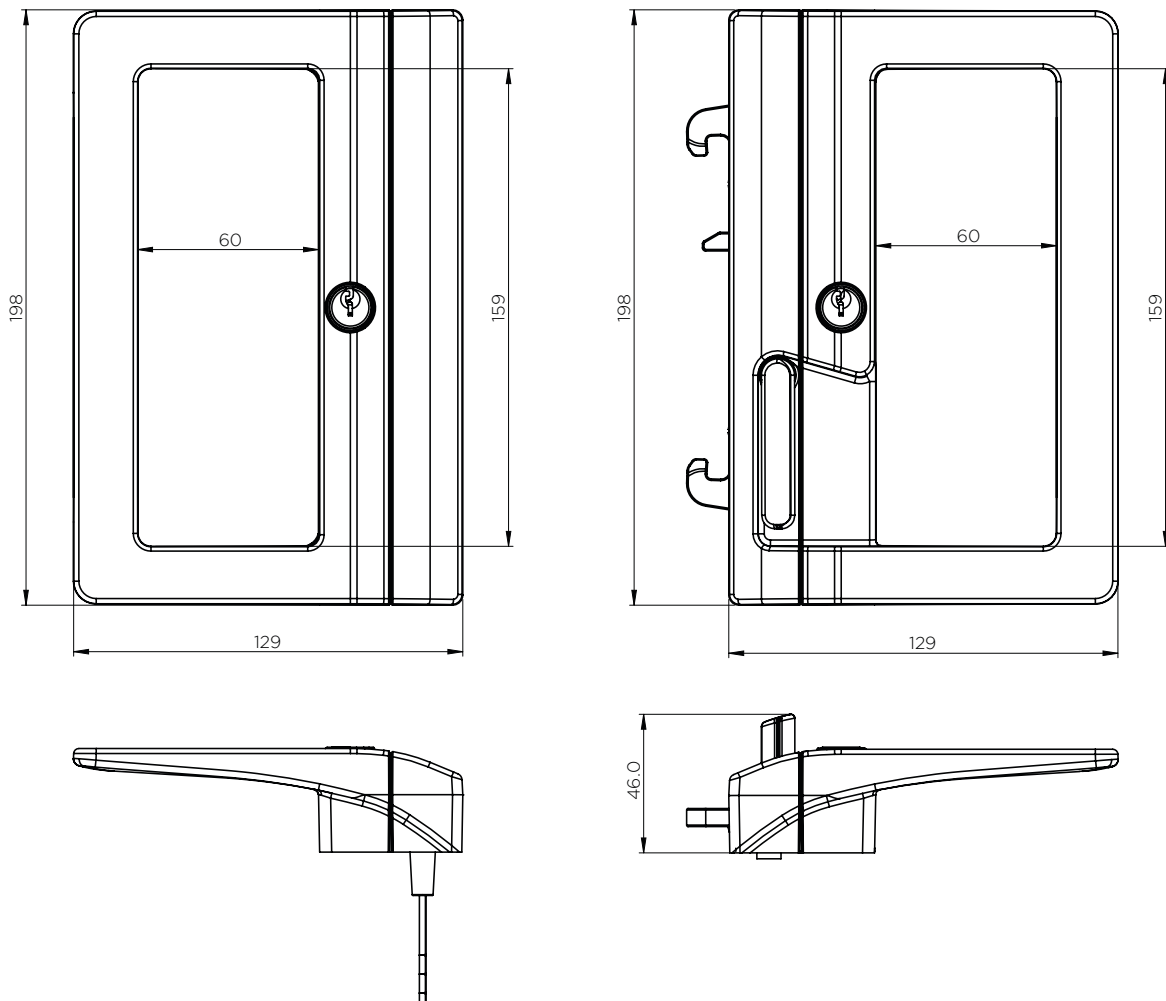
DESCRIPTION	VARIANT	CODE
YARRA HORIZON ACCESS LOCKSET Includes internal and external handles, catch plates and fixing pack, cylinders not included	16mm catch plate	YHDDA <sup>colour*</sup>
	25mm catch plate	YHDDAWC <sup>colour*</sup>
	No catch plate	YHDDANC <sup>colour*</sup>

\***colour** - BLST for black, WHGL for white, for any other powder coat, use SP

# CYLINDERS

DESCRIPTION	CODE
C4 5 PIN CYLINDER	YCC4B/KA10 or KD10*
GR9 5 PIN CYLINDER	YCGB/KA10
WAFER CYLINDER	YCWS/KA10

\*Key codes 801 to 810 available as stocked items, use /801 to /810 in place of /KA for ordering



## This product has been deemed:

- Compliant for Improved Liveability, Fully Accessible and High Physical Support under the SDS Design Standard
- Compliant with National Construction Code and Australian Standard AS 1428.1:2021
- Suitable for accommodation for people with disabilities



Allegion (Australia) Pty Ltd  
 Freephone 1800 098 094  
 Freefax 1800 098 095  
 Email [info.au@allegion.com](mailto:info.au@allegion.com)  
[www.allegion.com.au](http://www.allegion.com.au)

999/AUF\_YHA

©2026 ALLEGION

All rights reserved. No part of this document can be copied or used without permission

