



Austral Lock
BY GAINSBOROUGH

FORGE SERIES





Forge by Austral Lock offers a unique combination of quality craftsmanship and local production. A blend of security, style and durability, makes Forge an evolutionary family of furniture for security screen and patio doors.

With expert locking technology, and local assembly to provide custom, colour matched hardware, Forge is the new face of door hardware.



FORGE SERIES



HINGED SECURITY HOOK BOLT LOCK

AUSTRALIAN MADE FOR AUSTRALIAN NEEDS

Austral Lock, trusted for quality in the security and patio industry, has created a series of furniture designed, tested and assembled in Australia. Forge by Austral Lock provides hardware suitable for all applications.

The Forge security series, is crafted from Tasmanian zinc and engineered to withstand even the most determined attempts at forced entry. Pair with Austral Lock's cable multipoint kits for quiet and smooth operation, to ensure optimum security. A new aesthetic with tried and tested locking, Forge is the single solution for all.

SLIDING SECURITY LOCK

MORTICE BACKSET	25mm with overall depth of 43.5mm
DOOR THICKNESS	19-25mm
CONSTRUCTION	Zinc die cast, stainless steel face plate
DURABILITY*	Tested to 300,000 latching cycles
ADDITIONAL FEATURES	Stainless steel beak and catch plate Compatible with industry standard lazy cam Euro profile cylinders Compatible with mulitpoint locking kits See page 13 for all function options



SLIDING SECURITY LOCK

HINGED SECURITY HOOK BOLT LOCK

MORTICE BACKSET	25mm with overall depth of 35.5mm
DOOR THICKNESS	19-25mm
CONSTRUCTION	Zinc die cast, stainless steel face plate
DURABILITY*	Tested to 300,000 latching cycles
ADDITIONAL FEATURES	Pivoting beak locking mechanism for improved jemmy resistance Compatible with Austral Lock AA8 lazy cam Euro profile cylinders Compatible with mulitpoint locking kits See page 13 for all function options



HINGED SECURITY PROJECTION BOLT LOCK

HINGED SECURITY PROJECTION BOLT LOCK

MORTICE BACKSET	25mm with overall depth of 43.5mm
DOOR THICKNESS	19-25mm
CONSTRUCTION	Zinc die cast, stainless steel face plate
DURABILITY*	Tested to 500,000 latching cycles
ADDITIONAL FEATURES	Compatible with industry standard lazy cam Euro profile cylinders Compatible with mulitpoint locking kits See page 13 for all function options

*Tested in accordance with AS 4145.2:2008

All security Forge solutions come with interior snib lever for quick and convenient keyless locking
All security door locks are available in Black (BLST), White (WHGL) and Monumnet (MON) as standard colours
Can be powder coated to any Dulux or Interpon range of powder coatings to colour match the whole system

ATTENTION TO DETAIL IN EVERY ASPECT

While performance is of the utmost importance, with Forge, you don't have to sacrifice style for security. Forge's attention to detail is evident in the clean lines, smooth finishes, and thoughtful craftsmanship which allows the range to seamlessly blend with any architectural style.

Forge's surface mount patio series is locally made at our purpose-built facility in Brooklyn, Victoria. Its ergonomically designed handles and smooth operation ensure ease of use for the long lifetime of the product. The full range fits industry standard cutouts and offers colour matched hardware at no additional cost with local powder coating.

SLIDING PATIO SURFACE MOUNT SLIM LOCK

DOOR THICKNESS	21-46mm
CONSTRUCTION	Zinc die cast
STRIKE	Self adjusting strike with 16mm or 25mm colour matched cover suitable for face fixing as well as jamb fixing
ADDITIONAL FEATURES	<p>Slim profile provides minimal interruption of door opening</p> <p>Twin counteracting beaks engage an all-metal catch plate, providing resistance to jemmying & restraining door being lifted from its rails</p> <p>Anti-slam plunger prevents door being shut with beaks extended, avoiding damage to beaks & catch plate</p>



SLIDING PATIO SURFACE MOUNT
SLIM LOCK

SLIDING PATIO SURFACE MOUNT D PULL LOCK

DOOR THICKNESS	21-46mm
CONSTRUCTION	Zinc die cast
STRIKE	Self adjusting strike with 16mm or 25mm colour matched cover suitable for face fixing as well as jamb fixing
ADDITIONAL FEATURES	<p>Robust handle design offers comfortable operation</p> <p>Twin counteracting beaks engage an all-metal catch plate, providing resistance to jemmying & restraining door being lifted from its rails</p> <p>Anti-slam plunger prevents door being shut with beaks extended, avoiding damage to beaks & catch plate</p>



SLIDING PATIO SURFACE
MOUNT D PULL LOCK

All patio surface mount locks are available in Black (BLST), White (WHGL), Silver (PSIL) and Monument (Mon) as standard colours and feature an internal snib for convenient locking.

Can be powder coated to any Dulux or Interpon range of powder coatings to colour match the whole system



SLIDING PATIO SURFACE
MOUNT D PULL LOCK



OFFSET PULL WITH EURO ESCUTCHEON
AND THUMBTURN CYLINDER

ACCESS MADE SEAMLESS

Forge provides access to a full range of furniture, suitable for the market leading door systems. This inclusion allows doors to be fabricated to the unique needs and preferences of homeowners.

The mortice sliding door series from Forge continues the sleek and contemporary design, while providing Austral Lock's consistent and superior performance. Australian assembled, these sliding solutions offer three different pull types with matching escutcheon and versatile Euro cylinder options.

PULL FURNITURE AND ESCUTCHEON

LOCK BODY	Austral Lock Virtus sliding door mortice lock
MORTICE BACKSET	28.5 and 40mm
DOOR THICKNESS	32-55mm
CONSTRUCTION	Zinc die cast
DURABILITY*	Tested to 500,000 latching cycles
ADDITIONAL FEATURES	All pulls available in back to back and single side fix options Offset Pull offers more than 35mm clearance from the back of the handle to the door face

SLIDING DOOR MORTICE LOCK

LOCK BODY	Austral Lock Virtus sliding door mortice lock
MORTICE BACKSET	28.5 and 40mm
DOOR THICKNESS	32-45mm
CONSTRUCTION	SS face plate, strike and hook bolts
DURABILITY*	Tested to 500,000 latching cycles
ADDITIONAL FEATURES	Secure double-hook bolts with anti-lift design Anti-slam feature prevents bolts being thrown unless door is closed Adjustable strike supplied as standard with other variations available

VIRTUS EURO PROFILE CYLINDERS

APPLICATION	Sliding and hinged doors
DESCRIPTION	Euro profile fix cam 5 pin cylinders See page 15 for all function options
MORTICE BACKSET	Compatible with all industry standard Euro profile mortice backsets
CONSTRUCTION	Solid brass core
DURABILITY*	Tested to 80,000 key operation cycles
ADDITIONAL FEATURES	Clutch mechanism allows unlocking with key from one side, while a key is inserted on the other side



INLINE PULL WITH
EURO ESCUTCHEON



FLUSH PULL WITH
EURO ESCUTCHEON

*Tested in accordance with AS 4145.2:2008

All mortice sliding door furniture is available in Black (BLST), White (WHGL) and Silver (PSIL) as standard colours
Can be powder coated to any Dulux or Interpon range of powder coatings to colour match the whole system

A SOLUTION FOR EVERY APPLICATION

As well as hinged or sliding security and surface or mortice sliding patio, Forge also has solutions for folding and hinged doors. Our bifold operator throws bolts in two directions with a single action and the long plate lever has two- or four-point locking with optional privacy snib.

Homes and commercial spaces are all unique and require different types of doors with suitable locking and levers. With the Forge series of hardware, these spaces can look harmoniously stylish while providing the required functionality. With Austral Lock it's secure, with Forge it's a family.

HINGED DOOR LOCK

LOCK BODY	Austral Lock Virtus hinged door mortice lock
MORTICE BACKSET	2 point 30, 35, 40 or 60mm 4 point 30, 35, 40 or 60mm
DOOR THICKNESS	32-60mm
CONSTRUCTION	Stainless steel face plate, strikes and load bearing internal components
DURABILITY RATING*	Tested to 500,000 cycles
ADDITIONAL FEATURES	Sliding snib for privacy locking from the interior Easy handing with supplied handing pieces Compatible with 2 and 4 point locking (lever up to throw the top and bottom shootbolts) Compatible with industry standard Euro profile cylinders



HINGED DOOR LOCK WITH SNIB

BIFOLD LOCK

LOCK BODY	Austral Lock Virtus bifold door lock
MORTICE BACKSET	35mm aluminium panels 35 and 45mm timber panels Single and dual access mortice backsets
DOOR THICKNESS	35-55mm
CONSTRUCTION	Zinc die cast
DURABILITY	Tested to 100,000 cycles
ADDITIONAL FEATURES	Locking and non-locking furniture variants Industry standard 85mm distance between lever spindle and keyway centres Compatible with industry standard Euro profile cylinders Supplied with a low profile cylinder and keys in single or dual access locking kits



BIFOLD LOCK

*Tested in accordance with AS 4145.2:2008

All hinged and bifold furniture are available in Black (BLST), White (WHGL) and Silver (PSIL) as standard colours
Can be powder coated to any Dulux or Interpon range of powder coatings to colour match the whole system



HINGED DOOR LOCK



Austral Lock
BY GAINSBOROUGH

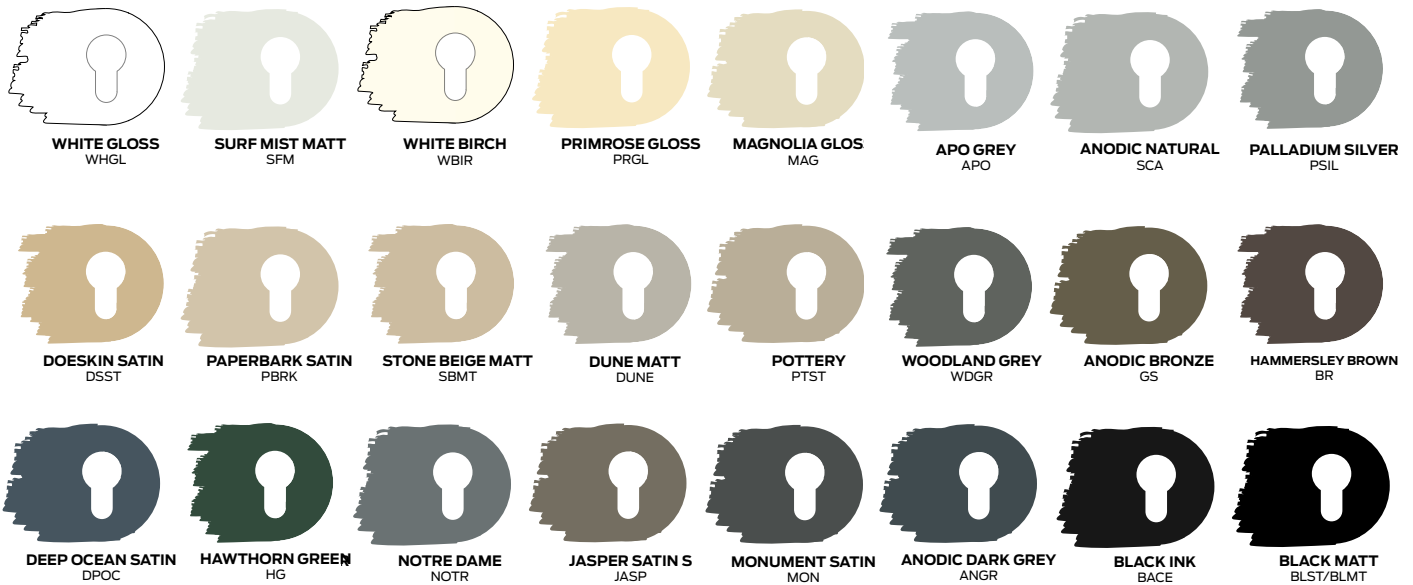


years
of Australian
Manufacturing

Proudly Australian for over 40 years.

Established in Melbourne in 1982, Austral Lock is proud to celebrate over 40 years of Australian manufacturing and patented innovation. Beginning as a small family-owned business, over the decades, Austral Lock has grown into an innovative and quality-oriented business, supplying hardware to all corners of Australia. Today it is one of only a few in the window and door industry still designing and manufacturing in Australia.

Our commitment to local manufacture allows us to supply colour matched hardware in our 24 stocked colours, with no surcharge on the Forge series. Excellence in design and a rigorous approach to quality means Austral Lock products are often imitated but never copied.



7 YEAR
TARNISH
WARRANTY

10 YEAR
MECHANICAL
WARRANTY

Sales Support

1800 098 094 or info.au@allegion.com

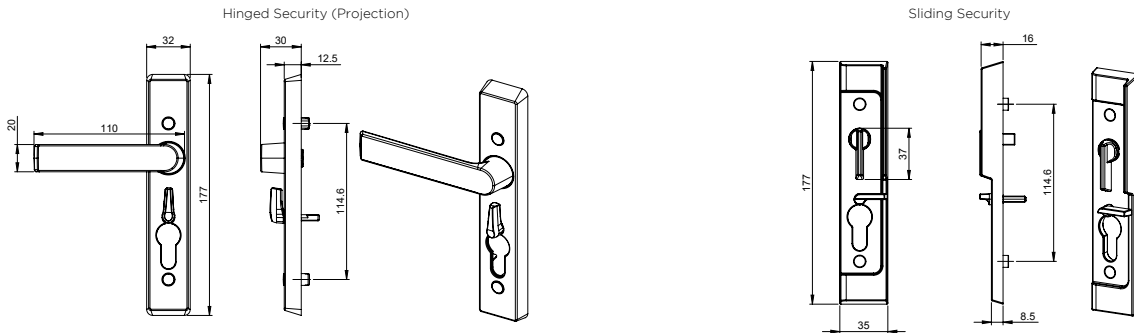
Technical support hub

1300 898 596 or techsupport.au@allegion.com

SECURITY DOOR LOCKS

DESCRIPTION	CODE
Hinged Security Door Projection Bolt Lock	FHSP- colour
Hinged Security Door Hook Bolt Lock	FHSH- colour
Sliding Security Door Lock	FSS- colour

colour - for all Austral Lock standard colours, use colour code on page 12, for any other powder coat, use SP



MULTIPOINT LOCKING KITS

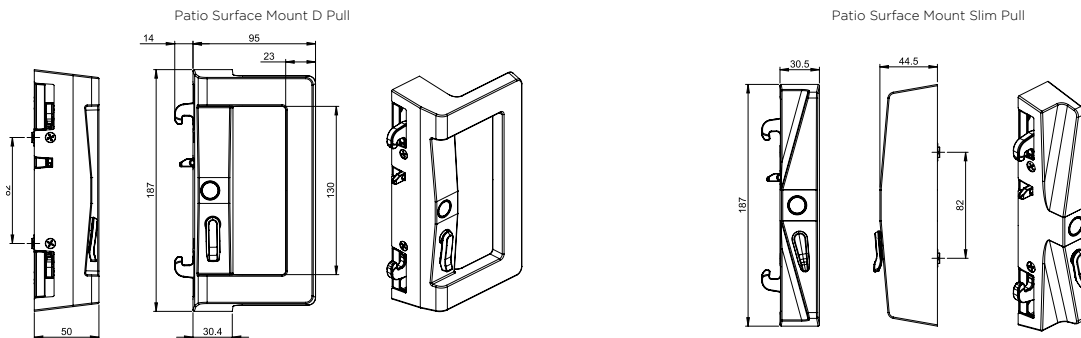
DESCRIPTION	LOCK POSITION	AUSTRAL CODE	UNIVERSAL CODE
3 POINT LOCKING KIT FOR HINGED SECURITY LOCKS WITH PROJECTION BOLT Includes 2x projection remote locks, 2x cables, 2x faceplates, connector boss and fixing screws	High	EKIT/H	EKIT/UH
	Low	EKIT/L	EKIT/UL
3 POINT LOCKING KIT FOR HINGED SECURITY LOCKS WITH HOOK BOLT Includes 2x projection remote locks, 2x cables, 2x faceplates, connector boss and fixing screws	High	UKIT/H	UKIT/UH
	Low	UKIT/L	UKIT/UL
3 POINT HOOK LOCKING KIT FOR HINGED SECURITY LOCKS WITH HOOK BOLT Includes 2x hook remote locks, 2x cables, 2x faceplates, connector boss and fixing screws	High	HD16PLUS/H	HD16PLUS/UH
	Low	HD16PLUS/L	HD16PLUS/UL
3 POINT LOCKING KIT FOR SLIDING SECURITY LOCKS WITH HOOK BOLT Includes 2x hook remote locks, 2x cables, 2x faceplates, connector boss and fixing screws	High	SD14PLUS/H	SD14PLUS/UH
	Low	SD14PLUS/L	SD14PLUS/UL
3 POINT LOCKING KIT FOR SLIDING SECURITY LOCKS WITH HOOK BOLT Includes 2x hook remote locks, 2x rods, 2x faceplates, connector boss and fixing screws	High	S14R/H	S14R/UH
	Low	S14R/L	S14R/UL
	Adjustable	S14R/A	-
3 POINT LOCKING KIT FOR HINGED SECURITY LOCKS WITH PROJECTION BOLT Includes 2x projection remote locks, 2x rods, 2x faceplates, connector boss and fixing screws	High	H14R/H	H14R/UH
	Low	H14R/L	H14R/UL
	Adjustable	H14R/A	-

For custom lengths, use "/SP" in place of "/H" for all codes

SLIDING PATIO SURFACE MOUNT LOCKS

DESCRIPTION	CODE
D Inner Pull 16mm Catch Base	FSPDSS- colour
D Inner Pull 25mm Catch Base	FSPDSW- colour
Slim Inner Pull 16mm Catch Base	FSPSSS- colour
Slim Inner Pull 25mm Catch Base	FSPSSW- colour

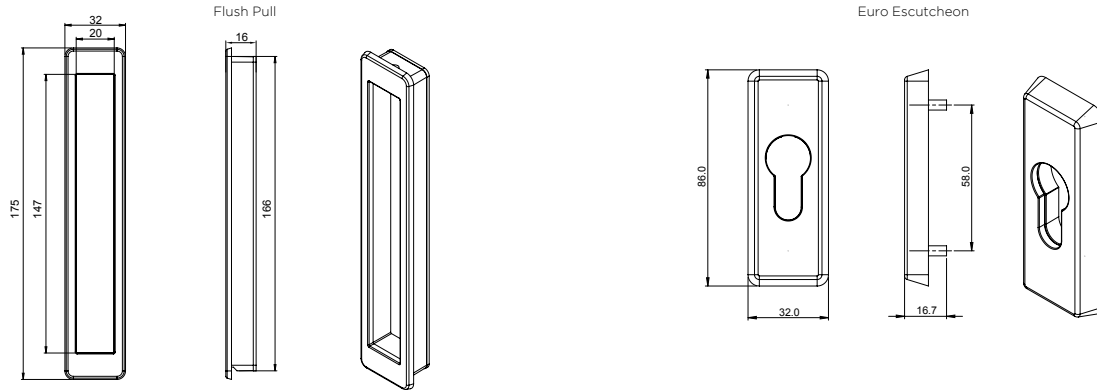
colour - BLST for black, WHGL for white, PSIL for silver, MON for monument, for any other powder coat, use SP



SLIDING DOOR FURNITURE SETS

DESCRIPTION	CODE
FORGE OFFSET PULL HANDLE BACK TO BACK Includes internal and external offset pull handles with fixing screws	FSDPHB2- colour
FORGE INLINE PULL HANDLE BACK TO BACK Includes internal and external inline pull handles with fixing screws	FSDILB2- colour
FORGE FLUSH PULL BACK TO BACK Includes 2x flush pulls with fixing screws	FSDFPB2- colour
FORGE FLUSH PULL SINGLE Includes a flush pull with fixing screws	FSDFPSF- colour
FORGE EURO ESCUTCHEON Includes an Euro cylinder escutcheon with fixing screws	FSEDESC- colour

colour - B for black, S for silver, for any other powder coat, use SP



SLIDING DOOR LOCK KITS FOR BACK TO BACK FIXING

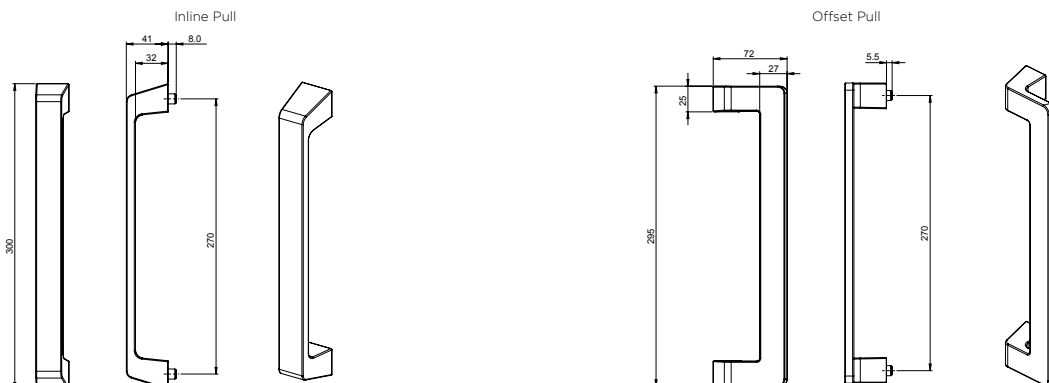
DESCRIPTION	CODE
FORGE SLIDING OFFSET PULL BACK TO BACK LOCKING KIT Includes internal and external handles, Virtus sliding door mortice lock 28.5mm backset, adjustable strike, 2x Euro escutcheons	FSD28PHB2- colour
FORGE SLIDING INLINE PULL BACK TO BACK LOCKING KIT Includes internal and external handles, Virtus sliding door mortice lock 28.5mm backset, adjustable strike, 2x Euro escutcheons	FSD28ILB2- colour
FORGE SLIDING FLUSH PULL BACK TO BACK LOCKING KIT Includes 2x pulls, Virtus sliding door mortice lock 28.5mm backset, adjustable strike, 2x Euro escutcheons	FSD28FPB2- colour

colour - B for black, S for silver, for any other powder coat, use SP

SLIDING DOOR LOCK KITS FOR SINGLE SIDE FIXING

DESCRIPTION	CODE
FORGE SLIDING OFFSET PULL SINGLE FIX LOCKING KIT Includes internal handle, Virtus sliding door mortice lock 28.5mm backset, adjustable strike, 2x Euro escutcheons	FSD28PHSF- colour
FORGE SLIDING INLINE PULL SINGLE FIX LOCKING KIT Includes internal handle, Virtus sliding door mortice lock 28.5mm backset, adjustable strike, 2x Euro escutcheons	FSD28ILSF- colour
FORGE SLIDING FLUSH PULL SINGLE FIX LOCKING KIT Includes a single pull, Virtus sliding door mortice lock 28.5mm backset, adjustable strike, 2x Euro escutcheons	FSD28FPSF- colour

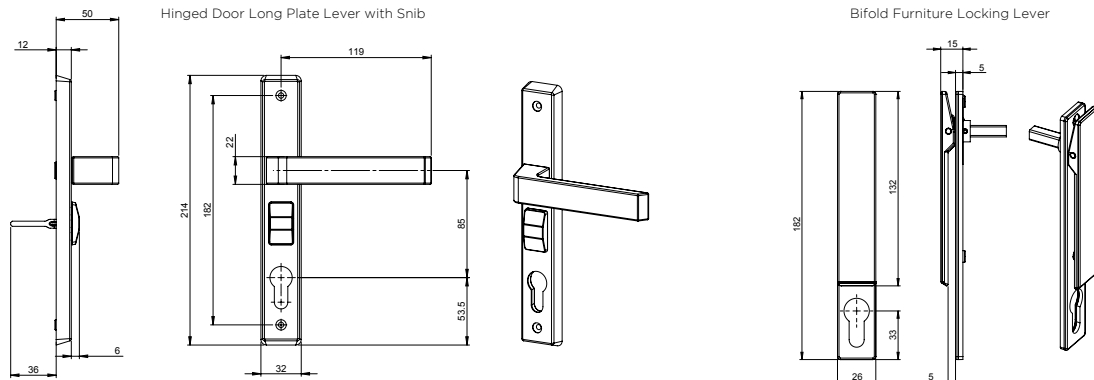
colour - B for black, S for silver, for any other powder coat, use SP



HINGED DOOR FURNITURE SETS

DESCRIPTION	CODE
FORGE LONG PLATE LEVER FURNITURE SET WITHOUT SNIB Includes internal and external long plate lever furniture without snib and fixing screws	FHDSWCNS- colour
FORGE LONG PLATE LEVER FURNITURE SET WITH SNIB Includes internal and external long plate lever furniture with snib and fixing screws	FHDSWCWS- colour
FORGE BIFOLD FURNITURE NON-LOCKING Includes bifold handle with short plate without cylinder hole and fixing screws	FHBNL- colour
FORGE BIFOLD FURNITURE LOCKING Includes bifold furniture with long plate with Euro cylinder hole and fixing screws	FHBWL- colour

colour - B for black, S for silver, for any other powder coat, use SP



HINGED DOOR LOCK KITS

DESCRIPTION	CODE
FORGE 2 POINT LOCK WITH SNIB FURNITURE KIT Includes internal and external long plate lever furniture with snib, Virtus 2 point hinged door mortice lock 30mm backset, face mount, left and right handed 12mm strikes and fixing screws	FHD2P30WS- colour
FORGE 4 POINT MM LOCK WITH SNIB FURNITURE KIT Includes internal and external long plate lever furniture with snib, Virtus 4 point hinged door mortice lock 30mm backset, face mount, left and right handed 12mm strikes, Virtus 4 point rod kit and fixing screws	FHD4P30WS- colour

colour - B for black, S for silver, for any other powder coat, use SP

BIFOLD LOCK KITS

DESCRIPTION	CODE
FORGE BIFOLD DUAL ACCESS LOCKING KIT Includes internal and external furniture with Euro cylinder hole, Virtus bifold lock, Virtus 4 point rod kit and fixing screws	FHBD25DWL- colour
FORGE BIFOLD SINGLE ACCESS NON-LOCKING KIT Includes internal furniture without cylinder hole, Virtus bifold lock, Virtus 4 point rod kit and fixing screws	FHBS25DNL- colour
FORGE BIFOLD SINGLE ACCESS LOCKING KIT Includes internal furniture with Euro cylinder hole, Virtus bifold lock, Virtus 4 point rod kit and fixing screws	FHBS25DWL- colour

colour - B for black, S for silver, for any other powder coat, use SP

VIRTUS EURO PROFILE CYLINDERS

DESCRIPTION	COLOUR	CODE	
		C4 KEYWAY	GR9 KEYWAY
Fix cam 70mm 5 pin double Euro cylinder keyed alike [#]	PVD Black	AAF705C4MB/KA*	AAF705GMB/KA
	Satin Chrome	AAF705C4SC/KA*	AAF705GSC/KA
Fix cam 70mm 5 pin double Euro cylinder, thumb turn, keyed alike [#]	PVD Black	AAF705C4TTMB/KA**	AAF705GTTMB/KA
	Satin Chrome	AAF705C4TTSC/KA**	AAF705GTTSC/KA
Fix cam 45mm 5 pin single Euro cylinder keyed alike	PVD Black	AAF455C4MB/KA	AAF455GMB/KA
	Satin Chrome	AAF455C4SC/KA	AAF455GSC/KA
Fix cam 45mm 5 pin single Euro cylinder with thumb turn	PVD Black	AAF45TTMB	AAF45TTMB
	Satin Chrome	AAF45TTSC	AAF45TTSC

[#] For 80mm cylinders use AAF80 in place of AAF70 in codes

* Key codes 801 to 810 available as stocked items, use /801 to /810 in place of /KA for ordering

** Key codes 801 to 810 available as stocked items, use 801 to 810 (NO FORWARD SLASH) in place of /KA for ordering

For custom keying, use "K" in place of "/KA" for C4 and GR9 codes

VIRTUS MORTICE LOCKS AND ACCESSORIES

DESCRIPTION	BACKSET	CODE
FOR SLIDING DOORS		
VIRTUS MORTICE SLIDING DOOR LOCK Includes mortice backset, lock fixing screws, strike fixing screws	Low profile strike	28.5mm MSDL28AL
		40mm MSDL40AL
	Standard strike	28.5mm MSDL28AS
		40mm MSDL40AS
Standard strike for mortice sliding door lock (160.0mm L x 20.8mm W x 16.7mm H)		MSDL-SSTK
Low profile strike for mortice sliding door lock (160.0mm L x 20.8mm W x 14.0mm H)		MSDL-LSTK
Narrow strike for mortice sliding door lock (160.0mm L x 15.8mm W x 16.7mm H)		MSDL-NSTK
Flat strike for mortice sliding door lock (97.0mm L x 24.0mm W x 2.0mm H)		MSDL-FSTK
FOR HINGED DOORS		
VIRTUS 2 POINT LOCK Includes mortice backset and lock fixing screws	30mm	2PT-30A*
	35mm	2PT-35A*
	40mm	2PT-40A*
	60mm	2PT-60A*
VIRTUS 4 POINT LOCK Includes mortice backset and lock fixing screws	30mm	4PT-30A*
	35mm	4PT-35A*
	40mm	4PT-40A*
	60mm	4PT-60A*
Virtus 12mm left and right handed strike pair with fixing screws		2PT-12ASK
Virtus 60mm long lip non-handed strike		2PT-60ASK
Virtus 4 point rod kit for panels upto 2.5m height		4PT-RK25
Virtus 1m extension rod kit to extend 4PT-RK25 for panel upto 3.5m height		4PT-RKEX
Virtus 4 point rod D tip guides		4PT-RK-DG

*Flush mount variants available with radius corner face plate and fixing tabs included, add '-FM' to these codes to order flush mount locks

DESCRIPTION		CODE
FOR BIFOLDING DOORS		
VIRTUS ALUMINIUM BIFOLD DOOR LOCK	Single Access	286AV
	Dual Access	286ADV
VIRTUS TIMBER BIFOLD DOOR LOCK - Single Access Single, internal access, minimum panel thickness 38mm	Backset 35mm	286T/35-1
	Backset 45mm	286T/45-1
VIRTUS TIMBER BIFOLD DOOR LOCK - Dual Access Dual access, minimum panel thickness 45mm	Backset 35mm	286TD/35
	Backset 45mm	286TD/45
VIRTUS ALUMINIUM BIFOLD DOOR ROD KITS - D-TIP Includes bifold lock, 2.5m or 3.5m rods with D-Tips, keeper, packer and fixing screws	2.5m panel	286-25D
	3.5m panel	286-35D
VIRTUS ALUMINIUM BIFOLD DOOR ROD KITS - P-TIP Includes bifold lock, 2.5m or 3.5m rods with P-Tips, keeper, packer and fixing screws	2.5m panel	286-25P
	3.5m panel	286-35P
VIRTUS TIMBER BIFOLD DOOR ROD KITS - Intermediate 38-44mm panel Includes bifold lock, 2.5m or 3.5m rods with D-Tips, keeper, cleats, hinge blocks, packer and fixing screws	2.5m panel	286-25NS
	3.5m panel	286-35NS
VIRTUS TIMBER BIFOLD DOOR ROD KITS - Intermediate 44mm and thicker panels Includes bifold lock, 2.5m or 3.5m rods with P-Tips, keeper, cleats, hinge blocks, packer and fixing screws	2.5m panel	286-25HS
	3.5m panel	286-35HS
VIRTUS TIMBER BIFOLD DOOR ROD KITS - End panel Includes bifold lock, 2.5m or 3.5m rods with D-Tips, keeper, cleats, hinge blocks, packer and fixing screws	2.5m panel	286-25XS
	3.5m panel	286-35XS

Our Services

Certified CPD training

As an accredited member of the Australian Institute of Architect's Refuel CPD program, Allegion representatives can provide approved training from electronic locking to sliding and folding hardware.



Australian
Institute of
Architects

Refuel CPD
Provider

Technical support hub

The Australian based Technical Support Hub has answers to your most complex questions, with expert advice from specification to installation.

1300 898 596 or techsupport.au@allegion.com

Allegion (Australia) Pty Ltd

Freephone 1800 098 094

Freefax 1800 098 095

Email info.au@allegion.com

www.allegion.com.au

999AUB_FORGE R5
©2026 ALLEGION

