



**Austral Lock**

BY GAINSBOROUGH

# Aurora Long Plate Lever Furniture

A unique combination of style and innovation. The Aurora Long Plate Lever furniture has been designed to compliment the Gainsborough range. Made from Australian Zinc and featuring an easy to use privacy internal slide snib, the Aurora can offer multi-point locking when combined with the Austral Lock Virtus Mortice locks.

Suitable for residential and semi-commercial applications

Sliding snib provides privacy locking from the interior

Compatible with 2 and 4 point Virtus mortice locks



Designed to align with Gainsborough Aurora levers

Long lasting powder coat finish available in over 24 colours

Return to door lever option available



AS1428.1 compliant return to door lever option available

High quality Australian zinc die cast

# Specifications

<b>Door type</b>	Timber or aluminium
<b>Door thickness</b>	Minimum 40mm to Maximum 60mm
<b>Lock body*</b>	Any 85mm centres hinged door mortice lock. Austral Lock Virtus hinged mortice lock must be used for sliding snib feature
<b>Spindle size</b>	8mm
<b>Material</b>	Zinc die-cast
<b>Handing</b>	Easy, field selectable handing pieces
<b>Cylinder*</b>	Suits fixed cam Euro profile cylinders, available seperately
<b>Finishes*</b>	Powder coated finish, with 24 stocked colours available

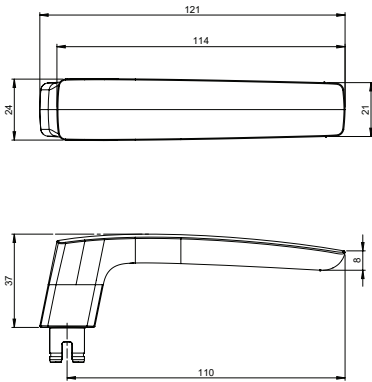
\*Scan QR code for more information on the Aurora lever range and the Virtus Lock, compatible Euro cylinders and powder coat colours

## Furniture kits

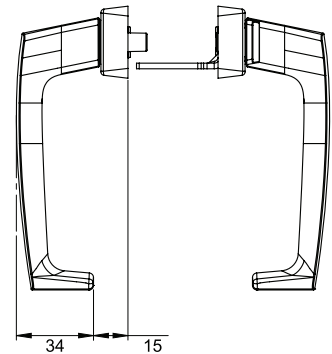
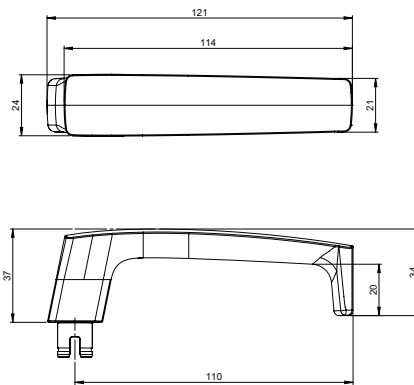
Standard lever, with cylinder cutout and sliding snib, black	AHDSWCWS-B
Standard lever, with cylinder cutout and sliding snib, silver	AHDSWCWS-S
Standard lever, with cylinder cutout and sliding snib, any colour	AHDSWCWS-SP
Standard lever, with cylinder cutout (no sliding snib), any colour	AHDSWCNS-SP
Standard lever, (no cylinder cutout or sliding snib), any colour	AHDSNCNS-SP
Return to door lever, with cylinder cutout and sliding snib, any colour	AHDDWCWS-SP
Return to door lever, with cylinder cutout (no sliding snib), any colour	AHDDWCNS-SP
Return to door lever, (no cylinder cutout or sliding snib), any colour	AHDDNCNS-SP

## Lever dimensions

Standard lever

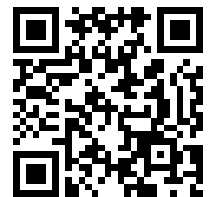
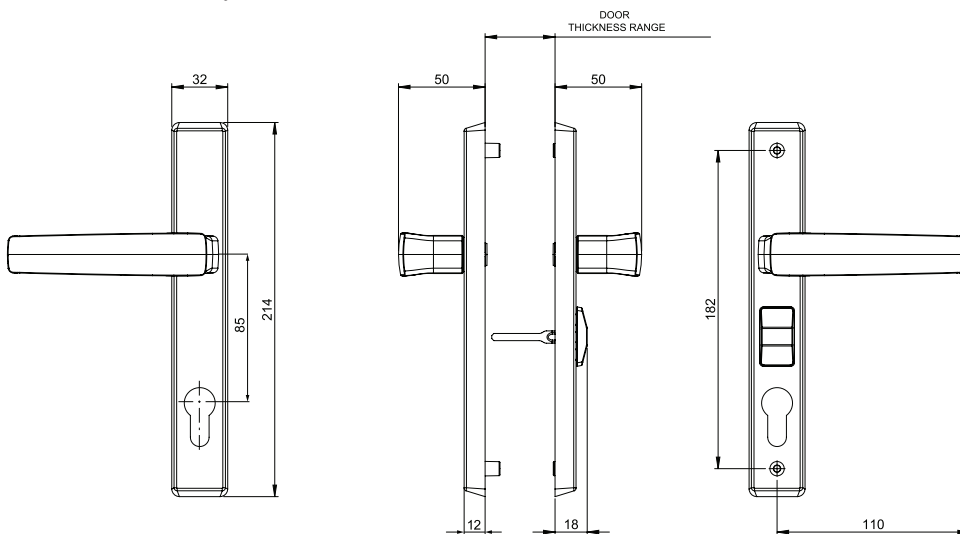


Return to door lever  
(Complies to AS1428.1 requirements)



## Furniture dimensions

Standard lever with snib and cylinder cutout



Have a technical query? Speak to our **Technical Hub**: 1300 898 596 | [techsupport.au@allegion.com](mailto:techsupport.au@allegion.com)

**Allegion (Australia) Pty Ltd**  
 Freephone 1800 098 094  
 Freefax 1800 098 095  
 Email [info.au@allegion.com](mailto:info.au@allegion.com)  
[www.allegion.com.au](http://www.allegion.com.au)

999GF\_AURORA REV C

©2026 ALLEGION  
 All rights reserved. No part of this document can be copied or used without permission